

Thank you for purchasing a Sealey product. Manufactured to a high standard this product will, if used according to these instructions and properly maintained, give you years of trouble free performance.



**IMPORTANT: PLEASE READ THESE INSTRUCTIONS CAREFULLY. NOTE THE SAFE OPERATIONAL REQUIREMENTS, WARNINGS & CAUTIONS. USE THE PRODUCT CORRECTLY AND WITH CARE FOR THE PURPOSE FOR WHICH IT IS INTENDED. FAILURE TO DO SO MAY CAUSE DAMAGE AND/OR PERSONAL INJURY, AND WILL INVALIDATE THE WARRANTY. PLEASE KEEP INSTRUCTIONS SAFE FOR FUTURE USE.**

### 1. SAFETY INSTRUCTIONS

#### 1.1. GENERAL SAFETY

- **WARNING!** Ensure Health & Safety, local authority, and general workshop practice regulations are adhered to when using this trolley.
- ✓ Always load evenly with the centre of gravity of the load as near centre of the trolley as possible.
- x **DO NOT** overload the trolley - see 2. DESCRIPTION.
- ✓ Use the trolley in a suitable work area.
- ✓ Keep the work area clean, uncluttered and ensure there is adequate lighting.
- ✓ Keep the trolley clean and tidy in accordance with good workshop practice.
- x **DO NOT** use the trolley for any purpose other than that for which it is designed.
- x **DO NOT** stand on the trolley, use it as a ladder or allow others to ride on the trolley.
- ✓ Use the wheel locks to prevent the trolley from inadvertently moving.
- x **DO NOT** leave unattended, especially when loaded, unless the wheels are locked, chocked or the trolley otherwise secured.
- x **DO NOT** use trolley on uneven ground and do not run over curbs or steps - use a ramp.
- x **DO NOT** use trolley if any part is significantly damaged, paying particular attention to the wheels.
- ✓ Keep children and unauthorised persons away from the work area.



### 2. DESCRIPTION

Garage or workshop trolley with a total capacity of 80kg. Deep-walled shelves, each of which may be installed base down or base up to give either tool and component security or unobstructed access. Fitted with four large castors, two with a brake.

### 3. CONTENTS

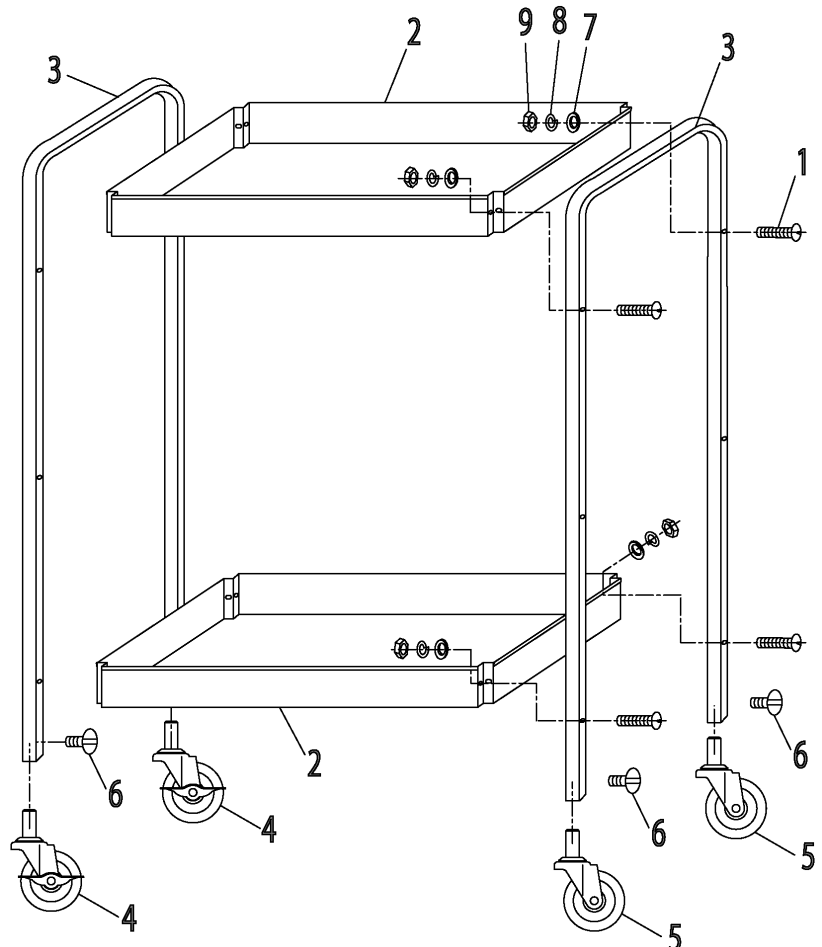
Carefully unpack the product and check the contents against the diagram and parts list below. Should any items be missing or damaged contact your Sealey dealer.

### 4. ASSEMBLY

- 4.1. Mount tray (2) to the upper hole in the end frames (3) and loosely fix with four M6 x 32mm bolts (1). Make sure the dished holes on the end frames are facing outwards.
- 4.2. Mount the other tray (2) to the lower hole in the end frames (3) and loosely fix with four M6 x 32mm bolts (1).
- 4.3. Tighten all bolts (1).
- 4.4. Turn the trolley over, install castors (4 & 5) into the bottom of the end frames and fix with the M6 x 12mm bolts (6).
- 4.5. Turn the trolley upright. The trolley is ready to use.

### 5. PARTS

Item	Part No:	Description
1	CX101D.01	BOLT M6 x 32mm
2	CX101D.02	TRAY
3	CX101D.03	HANDLE
4	CX101D.04	CASTOR WHEEL c/w BRAKE
5	CX101D.05	CASTOR WHEEL
6	CX101D.06	BOLT M6 x 12mm
7	CX101D.08	WASHER
8	CX101D.09	SPRING WASHER
9	CX101D.10	NUT



**NOTE:** It is our policy to continually improve products and as such we reserve the right to alter data, specifications and component parts without prior notice.

**IMPORTANT:** No liability is accepted for incorrect use of this product.

**WARRANTY:** Guarantee is 12 months from purchase date, proof of which will be required for any claim.

**INFORMATION:** For a copy of our latest catalogue and promotions call us on 01284 757525 and leave your full name and address, including postcode.