

ASSEMBLY INSTRUCTIONS CLASSIC DUO

RECOMMENDED FIXING DISTANCES

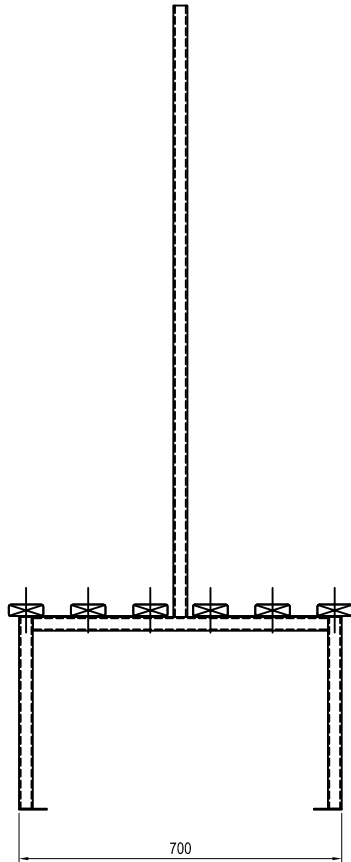
1M BENCH	- 840MM BETWEEN UPRIGHTS
1.5M BENCH	- 650MM BETWEEN UPRIGHTS
2M BENCH	- 900MM BETWEEN UPRIGHTS
2.5M BENCH	- 760MM BETWEEN UPRIGHTS
3M BENCH	- 900MM BETWEEN UPRIGHTS

PLEASE NOTE

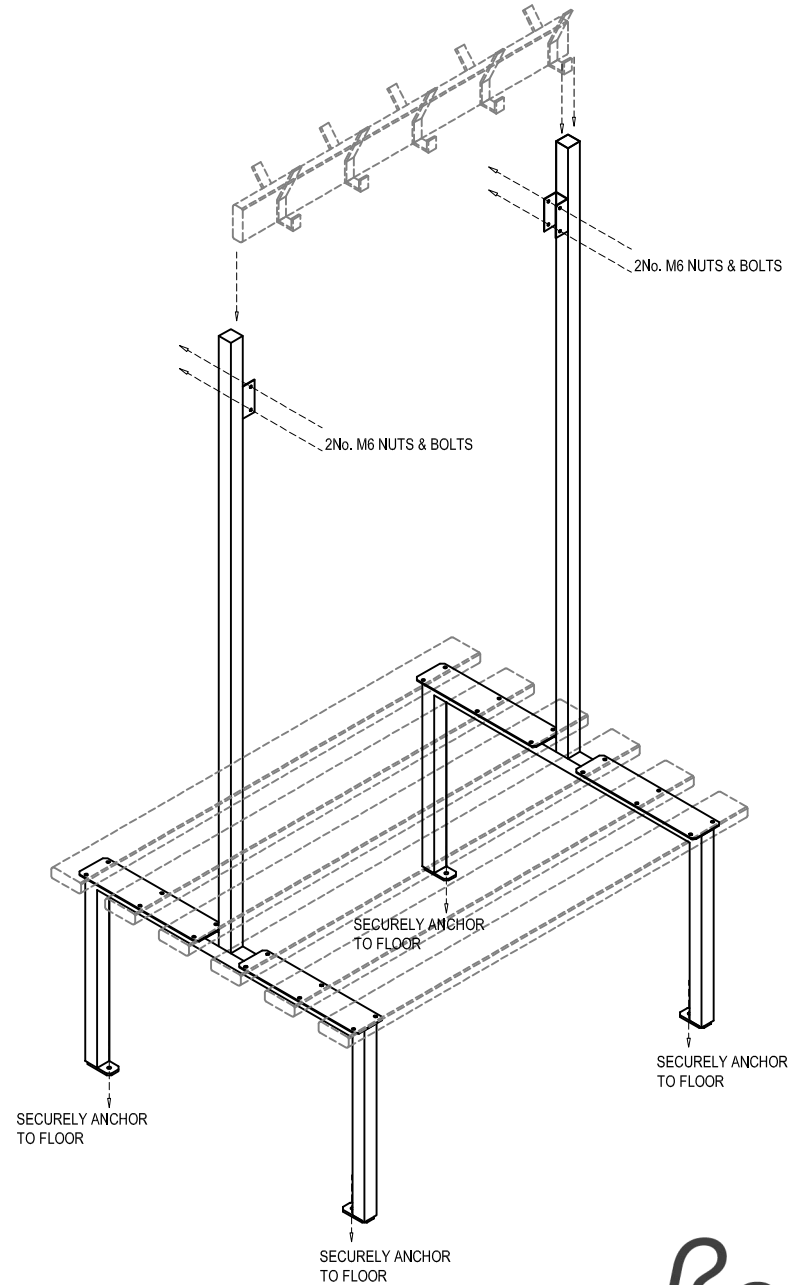
NO SEAT SLATS SHOULD BE UNSUPPORTED FOR MORE THAN 900MM

LEGS/WALL BRACKETS INCLUDED WITH BENCH

1M BENCH	- 2No.
1.5M BENCH	- 3No.
2M BENCH	- 3No.
2.5M BENCH	- 4No.
3M BENCH	- 4No.



PLEASE ENSURE CENTRE OF SLATS LINE UP WITH PRE-DRILLED HOLES AS INDICATED TO LEFT



Benchura