

ASSEMBLY INSTRUCTIONS CLASSIC MONO | 1

RECOMMENDED FIXING DISTANCES

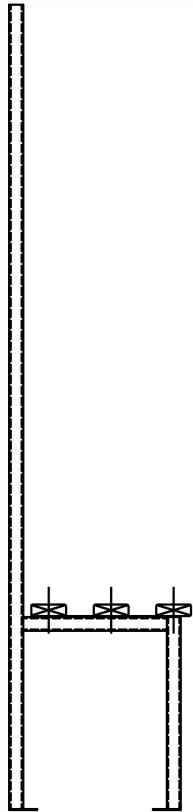
| | |
|------------|--------------------------|
| 1M BENCH | - 840MM BETWEEN UPRIGHTS |
| 1.5M BENCH | - 650MM BETWEEN UPRIGHTS |
| 2M BENCH | - 900MM BETWEEN UPRIGHTS |
| 2.5M BENCH | - 760MM BETWEEN UPRIGHTS |
| 3M BENCH | - 900MM BETWEEN UPRIGHTS |

PLEASE NOTE

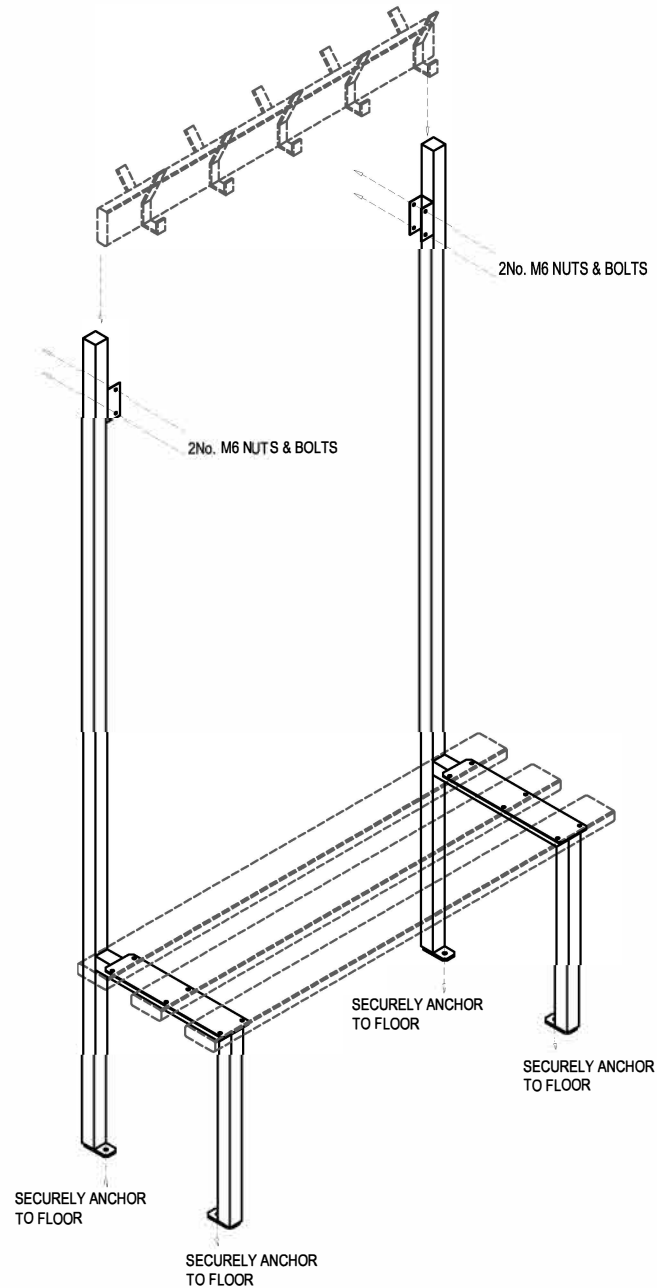
NO SEAT SLATS SHOULD BE UNSUPPORTED FOR MORE THAN 900MM

LEGS/WALL BRACKETS INCLUDED WITH BENCH

| | |
|------------|--------|
| 1M BENCH | - 2No. |
| 1.5M BENCH | - 3No. |
| 2M BENCH | - 3No. |
| 2.5M BENCH | - 4No. |
| 3M BENCH | - 4No. |



PLEASE ENSURE CENTRE OF
SLATS LINE UP WITH
PRE-DRILLED HOLES AS
INDICATED TO LEFT



Benchura