

# ASSEMBLY INSTRUCTIONS FOR CLASSIC 'BBL' BENCH

## RECOMMENDED FIXING DISTANCES

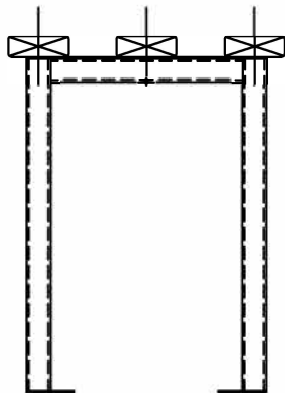
- 1M BENCH - 840MM BETWEEN UPRIGHTS
- 1.5M BENCH - 650MM BETWEEN UPRIGHTS
- 2M BENCH - 900MM BETWEEN UPRIGHTS
- 2.5M BENCH - 760MM BETWEEN UPRIGHTS
- 3M BENCH - 900MM BETWEEN UPRIGHTS

## PLEASE NOTE

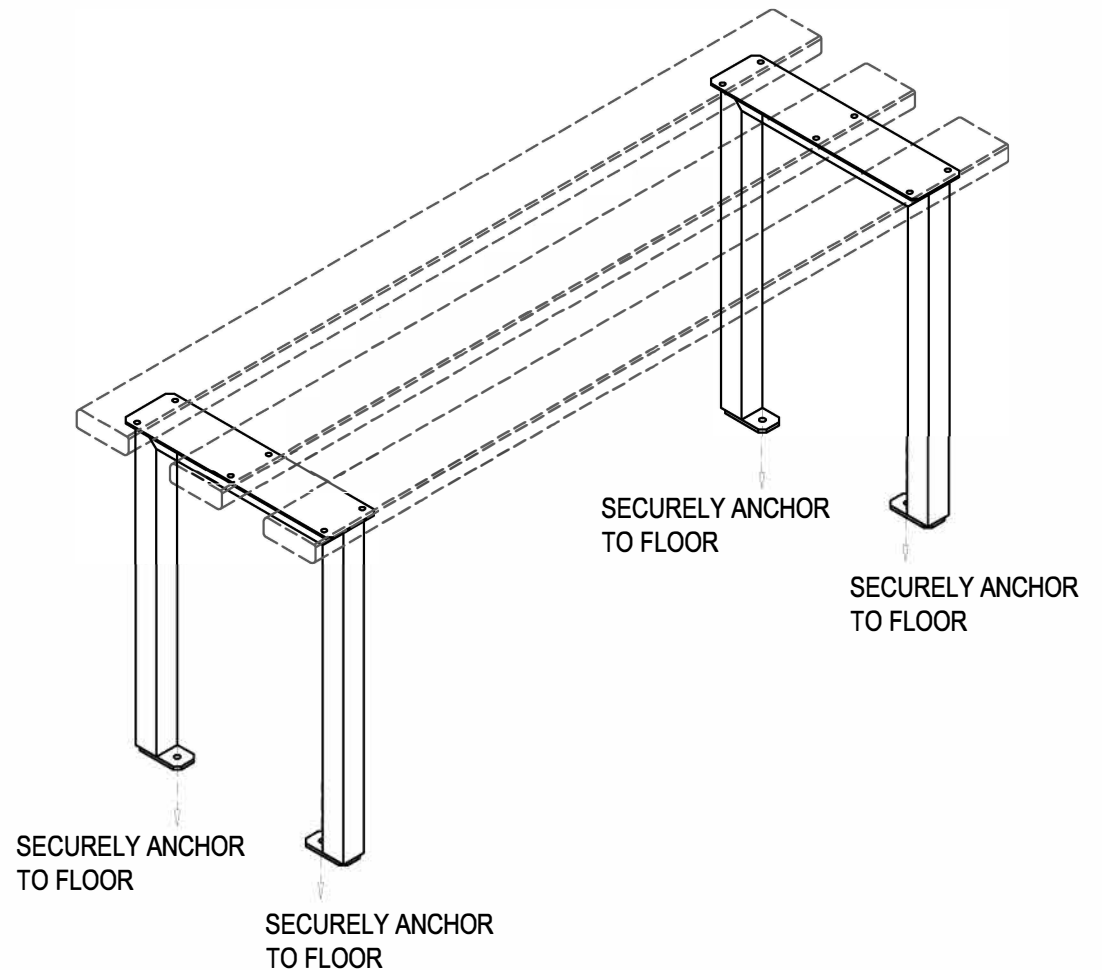
**NO SEAT SLATS SHOULD BE UNSUPPORTED FOR MORE THAN 900MM**

## LEGS/WALL BRACKETS INCLUDED WITH BENCH

- 1M BENCH - 2No.
- 1.5M BENCH - 3No.
- 2M BENCH - 3No.
- 2.5M BENCH - 4No.
- 3M BENCH - 4No.



PLEASE ENSURE CENTRE OF  
SLATS LINE UP WITH  
PRE-DRILLED HOLES AS  
INDICATED TO LEFT



Benchura