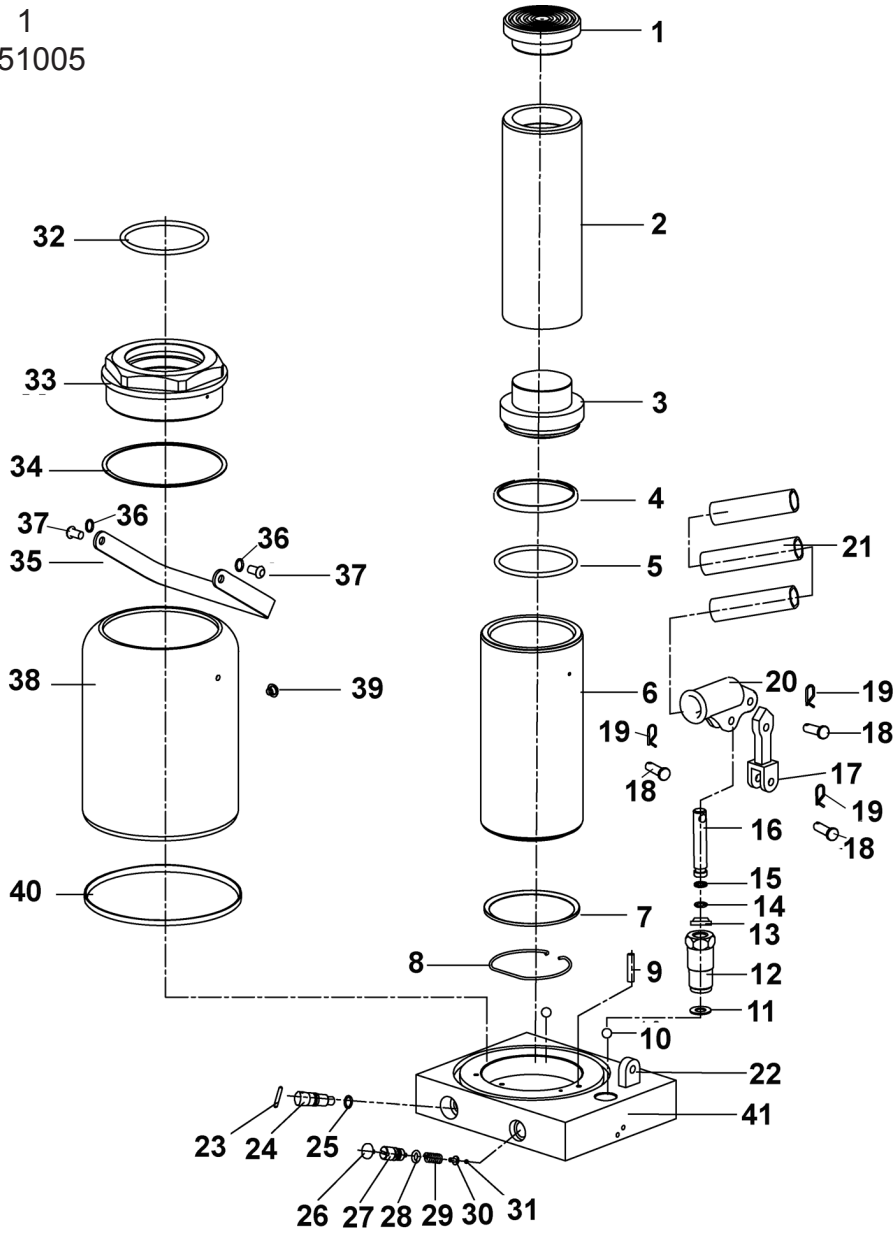


Issue No: 1
Issue date: 251005



ITEM	PART NO.	DESCRIPTION
1	SJ30.V3-01	SADDLE
2	SJ30.V3-02	PISTON ROD
3	SJ30.V3-03	PISTON
4	SJ30.V3-04	BOWL WASHER
5	SJ30.V3-05	O-RING
6	SJ30.V3-06	CYLINDER
7	SJ30.V3-07	STEEL WASHER
8	SJ30.V3-08	BALL WASHER
9	SJ30.V3-09	FILTER OIL TUBE
10	SJ30.V3-10	STEEL BALL
11	SJ30.V3-11	WASHER
12	SJ30.V3-12	PLUG SCREW
13	SJ30.V3-13	DUST RING
14	SJ30.V3-14	O-RING
15	SJ30.V3-15	RETAINING RING
16	SJ30.V3-16	PLUNGER
17	SJ30.V3-17	LINKING ROD
18	SJ30.V3-18	PIN
19	SJ30.V3-19	TORSION SPRING PIN
20	SJ30.V3-20	HANDLE SOCKET
21	SJ30.V3-21	LEVER

ITEM	PART NO.	DESCRIPTION
22	SJ30.V3-22	LINKING BLOCK
23	SJ30.V3-23	PIN
24	SJ30.V3-24	RELEASE VALVE SHAFT
25	SJ30.V3-25	O-RING, RELEASE VALVE
26	SJ30.V3-26	OVERLOAD VALVE NUT
27	SJ30.V3-27	OVERLOAD VALVE
28	SJ30.V3-28	O-RING
29	SJ30.V3-29	SPRING
30	SJ30.V3-30	SPRING PLUNGER
31	SJ30.V3-31	BALL
32	SJ30.V3-32	O-RING
33	SJ30.V3-33	TOP NUT
34	SJ30.V3-34	PACKING RING
35	SJ30.V3-35	HANDLE
36	SJ30.V3-36	WASHER FOR HANDLE
37	SJ30.V3-37	RIVET NUT FOR HANDLE
38	SJ30.V3-38	RESERVOIR
39	SJ30.V3-39	OIL FILLER PLUG
40	SJ30.V3-40	BASE PLATE WASHER
41	SJ30.V3-41	BASE PLATE