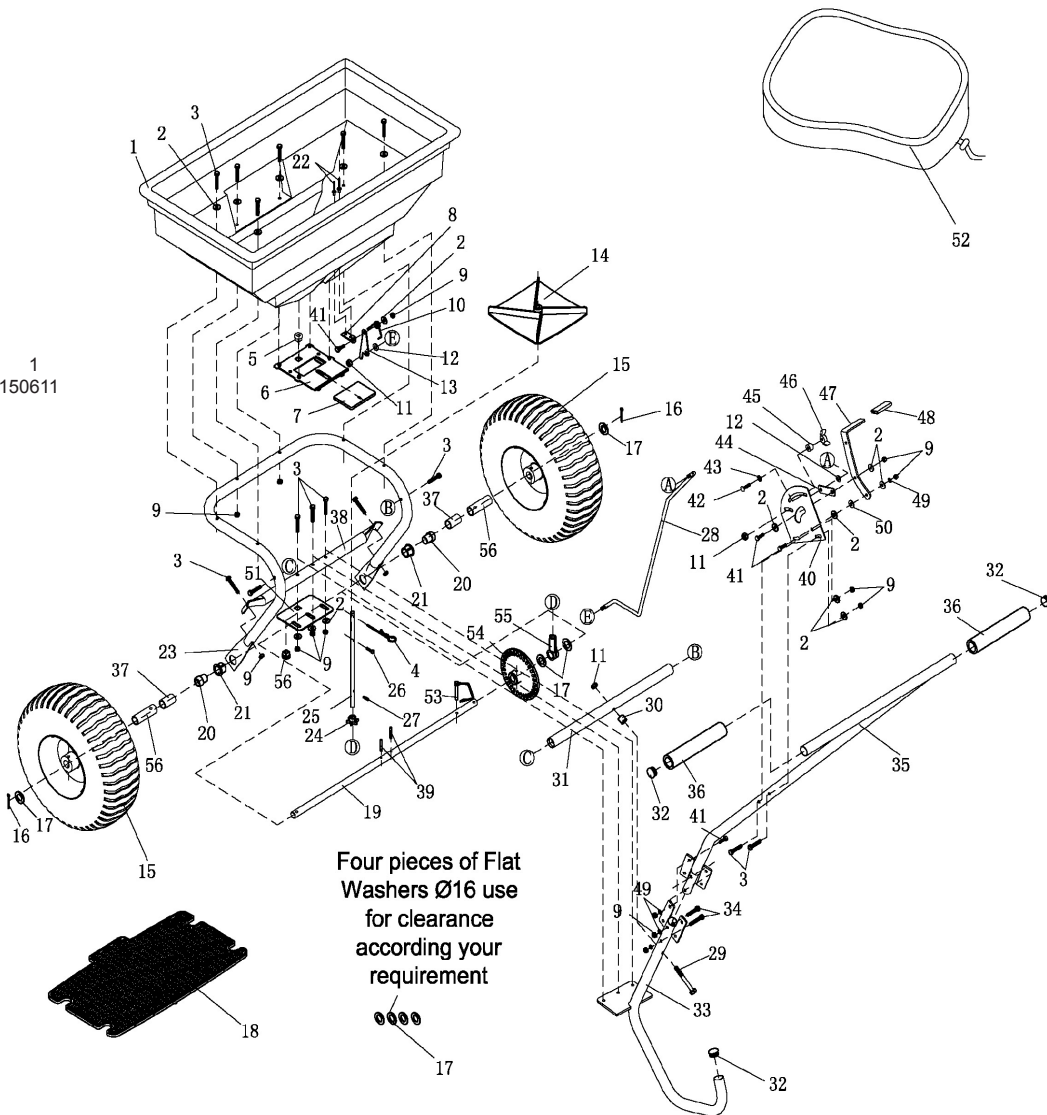


Issue: 1
 Issue Date: 150611



ITEM	PART NO	DESCRIPTION	ITEM	PART NO	DESCRIPTION	ITEM	PART NO	DESCRIPTION
1	SPB57W.01	HOPPER	19	SPB57W.19	AXLE	38	SPB57W.38	CROSSOVER TUBE
2	SPB57W.02	WASHER	20	SPB57W.20	INNER AXLE BUSHING	39	SPB57W.39	SPRING PIN (4x30)
3	SPB57W.03	HEX BOLT (M6x40)	21	SPB57W.21	OUTER AXLE BUSHING	40	SPB57W.40	BRACKET
4	SPB57W.04	R-PIN	22	SPB57W.22	RIVET (5x8)	41	SPB57W.41	HEX BOLT (M6x20)
5	SPB57W.05	BEARING	23	SPB57W.23	FRAME TUBE ASSEMBLY	42	SPB57W.42	BOLT (M6x25)
6	SPB57W.06	FIXED ADJUSTABLE PLATE	24	SPB57W.24	PINION GEAR	43	SPB57W.43	LOCK WASHER
7	SPB57W.07	ACTIVE ADJUSTABLE PLATE	25	SPB57W.25	SWIVEL AXLE	44	SPB57W.44	CONNECTING PLATE
8	SPB57W.08	BASE FOR SPRING	26	SPB57W.26	SCREW (M4x20)	45	SPB57W.45	SPACER
9	SPB57W.09	LOCK NUT (M6)	27	SPB57W.27	SPRING PIN (3x16)	46	SPB57W.46	WING NUT
10	SPB57W.10	SPRING	28	SPB57W.28	LINKAGE	47	SPB57W.47	ADJUSTING HANDLE
11	SPB57W.11	LOCK NUT (M8)	29	SPB57W.29	HEX BOLT (M8x75)	48	SPB57W.48	HANDLE COVER
12	SPB57W.12	WASHER	30	SPB57W.30	SPACER	49	SPB57W.49	SPRING WASHER
13	SPB57W.13	FIXED PLATE FOR CONNECTING ROD	31	SPB57W.31	FIXED TUBE	50	SPB57W.50	NYLON WASHER
14	SPB57W.14	IMPELLER	32	SPB57W.32	PLASTIC CAP	51	SPB57W.51	SHAFT SUPPORT PLATE
15	SPB57W.15	PNEUMATIC WHEEL	33	SPB57W.33	SUPPORT TUBE	52	SPB57W.52	RAIN COVER
16	SPB57W.16	COTTER PIN (5x35)	34	SPB57W.34	HEX BOLT (M6x35)	53	SPB57W.53	DRIVE PIN
17	SPB57W.17	WASHER	35	SPB57W.35	HANDLE	54	SPB57W.54	GEAR (DRIVER)
18	SPB57W.18	SCREEN	36	SPB57W.36	HANDLE COVER	55	SPB57W.55	SHAFT SUPPORT CAP
			37	SPB57W.37	AXLE BUSHING	56	SPB57W.56	WHEEL BUSHING

NOTE: It is our policy to continually improve products and as such we reserve the right to alter data, specifications and component parts without prior notice.

IMPORTANT: No liability is accepted for incorrect use of product.

WARRANTY: Guarantee is 12 months from purchase date, proof of which will be required for any claim.

INFORMATION: For a copy of our latest catalogue and promotions call us on 01284 757525 and leave your full name and address, including postcode.