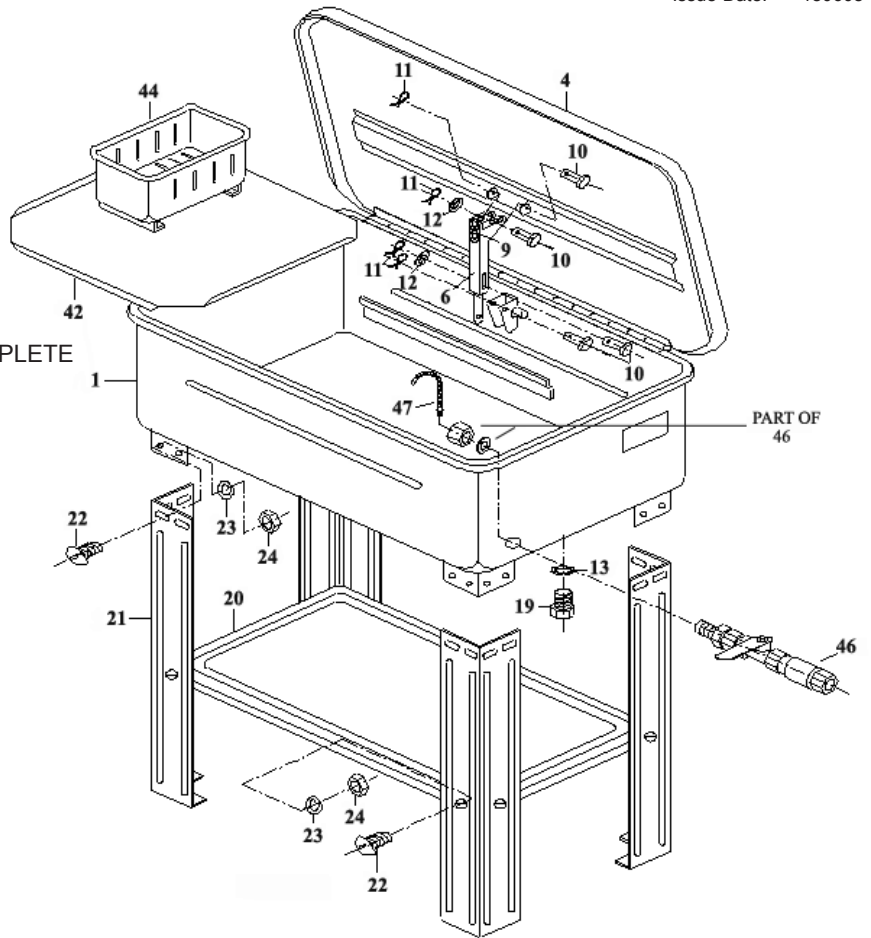
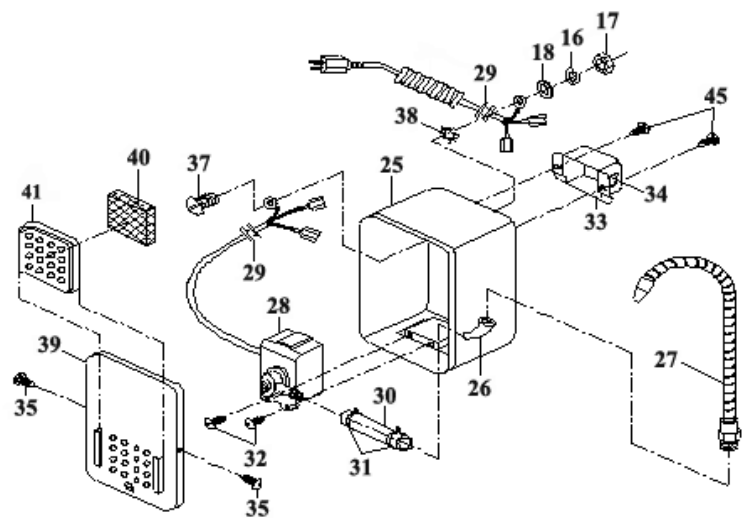


ITEM	PART NO	DESCRIPTION
1	SM20.V3-01	TANK
4	SM20.V3-04	COVER
6	SM20.V3-06	SAFETY LEVER COMPLETE
9	SM20.V3-09	PLATE FOR LID ARM
10	SM20.V3-10	PIN
11	SM20.V3-11	SPRING PIN
12	SM20.V3-12	WASHER
13	SM20.V3-13	O-RING
19	SM20.V3-19	PLUG
20	SM20.V3-20	SHELF
21	SM20.V3-21	LEG
22	SM20.V3-22	SCREW, PAN HEAD
23	SM20.V3-23	SPRING WASHER
24	SM20.V3-24	NUT
42	SM20.V3-42	SHELF, INTERNAL
44	SM20.V3-44	BASKET
46	SM20.V3-46	QUICK COUPLING
47	SM20.V3-47	FLEXIBLE HOSE



PARTS FOR PUMP

ITEM	PART NO	DESCRIPTION
16	SM20.V3-16	SPRING WASHER
17	SM20.V3-17	NUT
18	SM20.V3-18	O-RING
25	SM20.V3-25	PUMP HOUSING
26	SM20.V3-26	ELBOW
27	SM20.V3-27	FLEXIBLE PIPE
28	SM20.V3-28	PUMP
29	SM20.V3-29	STRAIN RELIEF
30	SM20.V3-30	HOSE
31	SM20.V3-31	HOSE CLAMP
32	SM20.V3-32	SCREW, TAPPING
33	SM20.V3-33	SWITCH BOX
34	SM20.V3-34	SWITCH
35	SM20.V3-35	SCREW, TAPPING
37	SM20.V3-37	SCREW, PAN HEAD
38	SM20.V3-38	WASHER, STAR
39	SM20.V3-39	PUMP HOUSING COVER
40	SM20.V3-40	FILTER
41	SM20.V3-41	FILTER COVER
45	SM20.V3-45	SCREW, TAPPING



NOTE: It is our policy to continually improve products and as such we reserve the right to alter data, specifications and component parts without prior notice.

IMPORTANT: No liability is accepted for incorrect use of product.

WARRANTY: Guarantee is 12 months from purchase date, proof of which will be required for any claim.