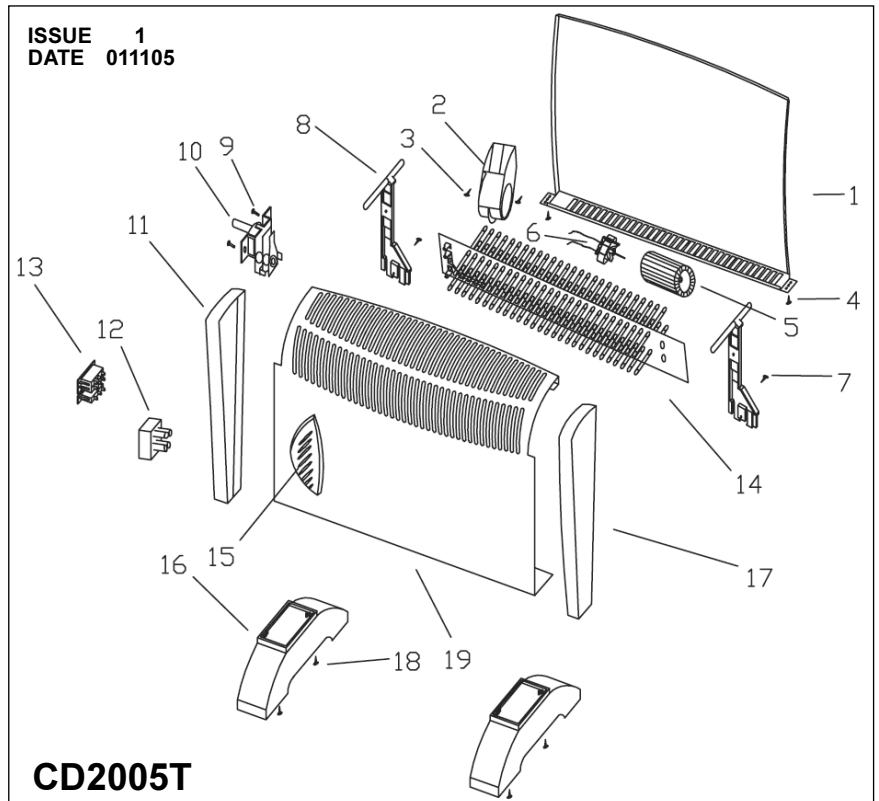


| ITEM | PART No:  | DESCRIPTION             |
|------|-----------|-------------------------|
| 1    | CD2005.01 | BACK COVER              |
| 2    | CD2005.02 | SCREW                   |
| 3    | CD2005.03 | HEATING ELEMENT         |
| 4    | CD2005.04 | HEATING ELEMENT BRACKET |
| 5    | CD2005.05 | SCREW                   |
| 6    | CD2005.06 | THERMOSTAT              |
| 7    | CD2005.07 | SCREW                   |
| 8    | CD2005.08 | TERMINAL                |
| 9    | CD2005.09 | SWITCH                  |
| 10   | CD2005.10 | FRONT COVER             |
| 11   | CD2005.11 | RIGHT CASING            |
| 12   | CD2005.12 | LEFT CASING             |
| 13   | CD2005.13 | AIR OUTLET OPENING      |
| 14   | CD2005.14 | FOOT (LEFT / RIGHT)     |
| 15   | CD2005.15 | SCREW                   |



| ITEM | PART No:   | DESCRIPTION             |
|------|------------|-------------------------|
| 1    | CD2005.01  | BACK COVER              |
| 2    | CD2005T.02 | FAN PASSAGE             |
| 3    | CD2005T.03 | SCREW                   |
| 4    | CD2005.02  | SCREW                   |
| 5    | CD2005T.05 | FAN BLADE               |
| 6    | CD2005T.06 | MOTOR                   |
| 7    | CD2005.05  | SCREW                   |
| 8    | CD2005.04  | HEATING ELEMENT BRACKET |
| 9    | CD2005.07  | SCREW                   |
| 10   | CD2005.06  | THERMOSTAT              |
| 11   | CD2005.12  | LEFT CASING             |
| 12   | CD2005.08  | TERMINAL                |
| 13   | CD2005.09  | SWITCH                  |
| 14   | CD2005.03  | HEATING ELEMENT         |
| 15   | CD2005.13  | AIR OUTLET OPENING      |
| 16   | CD2005.14  | FOOT (LEFT / RIGHT)     |
| 17   | CD2005.11  | RIGHT CASING            |
| 18   | CD2005.15  | SCREW                   |
| 19   | CD2005.10  | FRONT COVER             |

**NOTE:** It is our policy to continually improve products and as such we reserve the right to alter data, specifications and component parts without prior notice.

**IMPORTANT:** No liability is accepted for incorrect use of product.

**WARRANTY:** Guarantee is 12 months from purchase date, proof of which will be required for any claim.

**INFORMATION:** For a copy of our latest catalogue and promotions call us on 01284 757525 and leave your full name and address, including postcode.