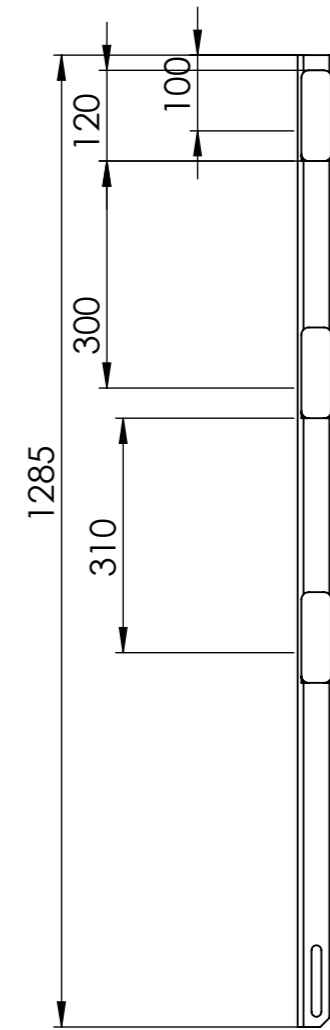
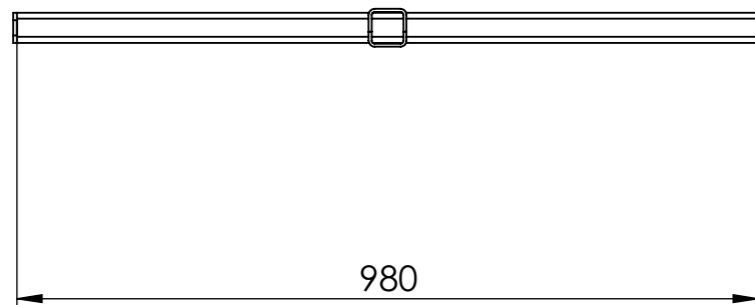


Overall length & spacing of horizontal bars



Position of horizontal bars on uprights

Please Note:

All support bars are 40 x 40mm
Uprights are 50 x 50mm

					DO NOT SCALE DRAWING		REVISION 1 of 1		
					TITLE:				
					MATERIAL:				
					DWG NO.				
					SCALE:1:10				
					SHEET 1 OF 1				
DRAWN	NAME	SIGNATURE	DATE						
CHK'D									
APPV'D									
MFG									
Q.A									
					WEIGHT:		A3		