



INSTRUCTIONS FOR:  
**GATOR GRIP FORKLIFT DRUM GRAB**  
**400kg CAPACITY**  
 MODEL No: **DG06**

Thank you for purchasing a Sealey product. Manufactured to a high standard this product will, if used according to these instructions and properly maintained, give you years of trouble free performance.

**⚠ IMPORTANT: PLEASE READ THESE INSTRUCTIONS CAREFULLY. NOTE THE SAFE OPERATIONAL REQUIREMENTS, WARNINGS AND CAUTIONS. USE THE PRODUCT CORRECTLY AND WITH CARE FOR THE PURPOSE FOR WHICH IT IS INTENDED. FAILURE TO DO SO MAY CAUSE DAMAGE AND/OR PERSONAL INJURY AND WILL INVALIDATE THE WARRANTY. PLEASE KEEP INSTRUCTIONS SAFE FOR FUTURE USE.**

**1. SAFETY INSTRUCTIONS**

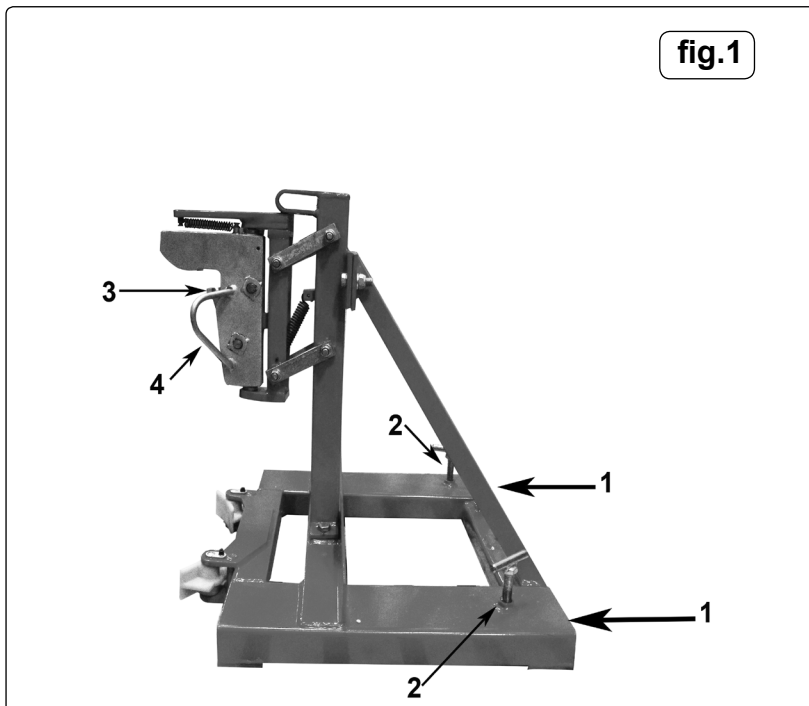
- ✓ Forklift trucks should only be used by fully trained personnel.
- x **DO NOT** load more than one drum.
- x **DO NOT** use on drums with removable tops.
- x **DO NOT** overload the Gator Grip - maximum capacity is **400kg**.
- x **DO NOT** allow others to ride on the Gator Grip when fitted to forklift.
- x **DO NOT** leave a drum suspended from the Gator Grip for longer than necessary.
- x **DO NOT** Use for any other purpose than that for which is was designed.
- ✓ Ensure that the rated capacity of the forklift truck is not exceeded.
- ✓ Whilst operating the forklift and Gator Grip ensure a safe distance from other personnel.
- ☐ **Warning!** Failure to comply with these instructions may result in loss of load, damage to forklift and Drum Grab or other property and/or personal injury.

**2. INTRODUCTION**

Manufactured from heavy-duty steel. Fitted with automatic grip lock to ensure maximum grip is maintained over rough terrain. Features suspension system to ensure safety. Suitable for use with 205ltr steel drums. Unit attaches to most forklifts and is secured using 2 heavy-duty fixing bolts.

**Technical Specifications**

<b>Model No:</b> .....	<b>GD06</b>
Capacity: .....	400kg
Drum Size: .....	205ltr
Fork Opening: .....	560mm
Overall Size (L x W x H): .....	710 x 660 x 730mm
Weight: .....	60kg



### 3. OPERATING INSTRUCTIONS

#### 3.1 Fitting the Gator Grip onto a forklift truck.

3.1.1. Ensure the forklift truck's forks are the correct distance apart to fit into the Drum Grab.

3.1.2. Drive forklift forwards so that forks enter the channels in the base of the Drum Grab (fig.1.1) and continue forwards until the forks are fully inserted.

3.1.3. Tighten down fully the 2 large T-Bar tightening bolts (fig.1.2).

#### 3.2. Picking up a drum using the Drum Grab.

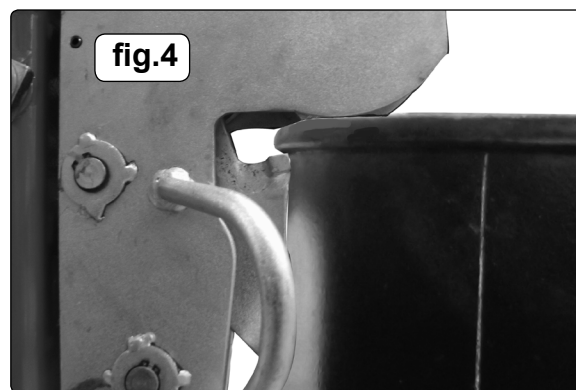
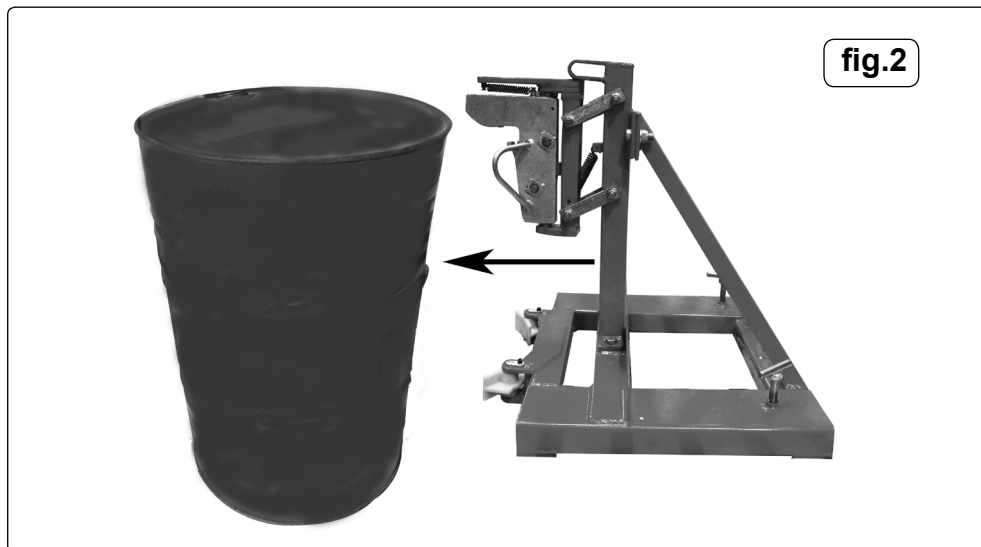
3.2.1. Drive the forklift towards drum to be picked up slowly, as in fig.2, ensuring the lower grab jaw (fig.1.3) is just below the rim of the drum (fig.4). Slight misalignment will be accommodated by the guides (fig.1.4) steering the head assembly into the correct alignment.

3.2.2. Raising the grab with the lower jaw under the rim will cause the drum to tilt slightly, causing the jaw to swing out as in fig.3 and nip the rim against the upper jaw, suspending the drum (fig.4)

3.2.3. Continue to raise the forks to lift drum from ground.

#### 3.3. Releasing a drum.

3.3.1. Lowering the forks will cause the drum to stand upright, releasing the lower jaw and freeing the drum.



### 4. STORAGE AND MAINTENANCE

4.1. When not in use store in a safe location where the head assembly is protected from accidental damage.

4.2. Lubricate all pivot points regularly but ensure the the jaw faces remain free of lubricant.

**NOTE:** It is our policy to continually improve products and as such we reserve the right to alter data, specifications and component parts without prior notice.

**IMPORTANT:** No liability is accepted for incorrect use of product.

**WARRANTY:** Guarantee is 12 months from purchase date, proof of which will be required for any claim.

**INFORMATION:** For a copy of our latest catalogue and promotions call us on 01284 757525 and leave your full name and address, including your postcode.

# SEALEY