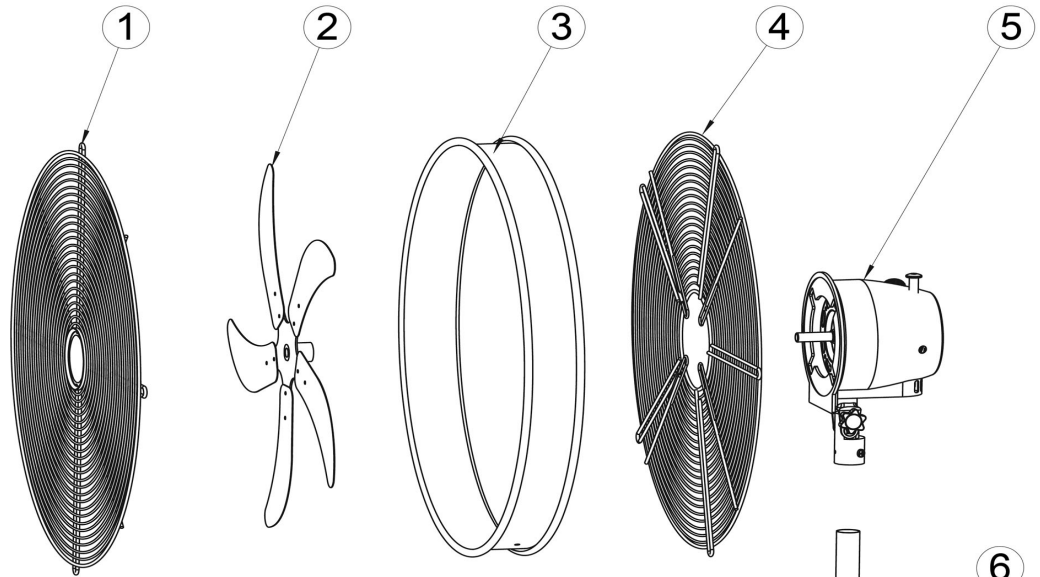


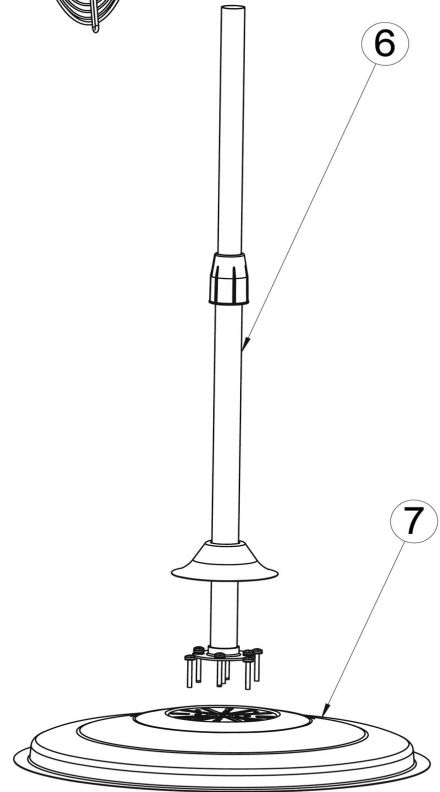


PARTS FOR:
**INDUSTRIAL HIGH VELOCITY OSCILLATING
PEDESTAL FAN 20" 230V**
MODEL: **HVF20PO**



Issue: 1
Issue Date: 070115

ITEM	PART NO	DESCRIPTION
1	HVF20PO.01	FRONT GUARD
2	HVF20PO.02	FAN BLADE 20"
3	HVF20PO.03	DRUM
4	HVF20PO.04	REAR GUARD
5	HVF20PO.05	MOTOR
6	HVF20PO.06	UPRIGHT SUPPORT
7	HVF20PO.07	BASE



NOTE: It is our policy to continually improve products and as such we reserve the right to alter data, specifications and component parts without prior notice.

IMPORTANT: No liability is accepted for incorrect use of product.

WARRANTY: Guarantee is 12 months from purchase date, proof of which will be required for any claim.

