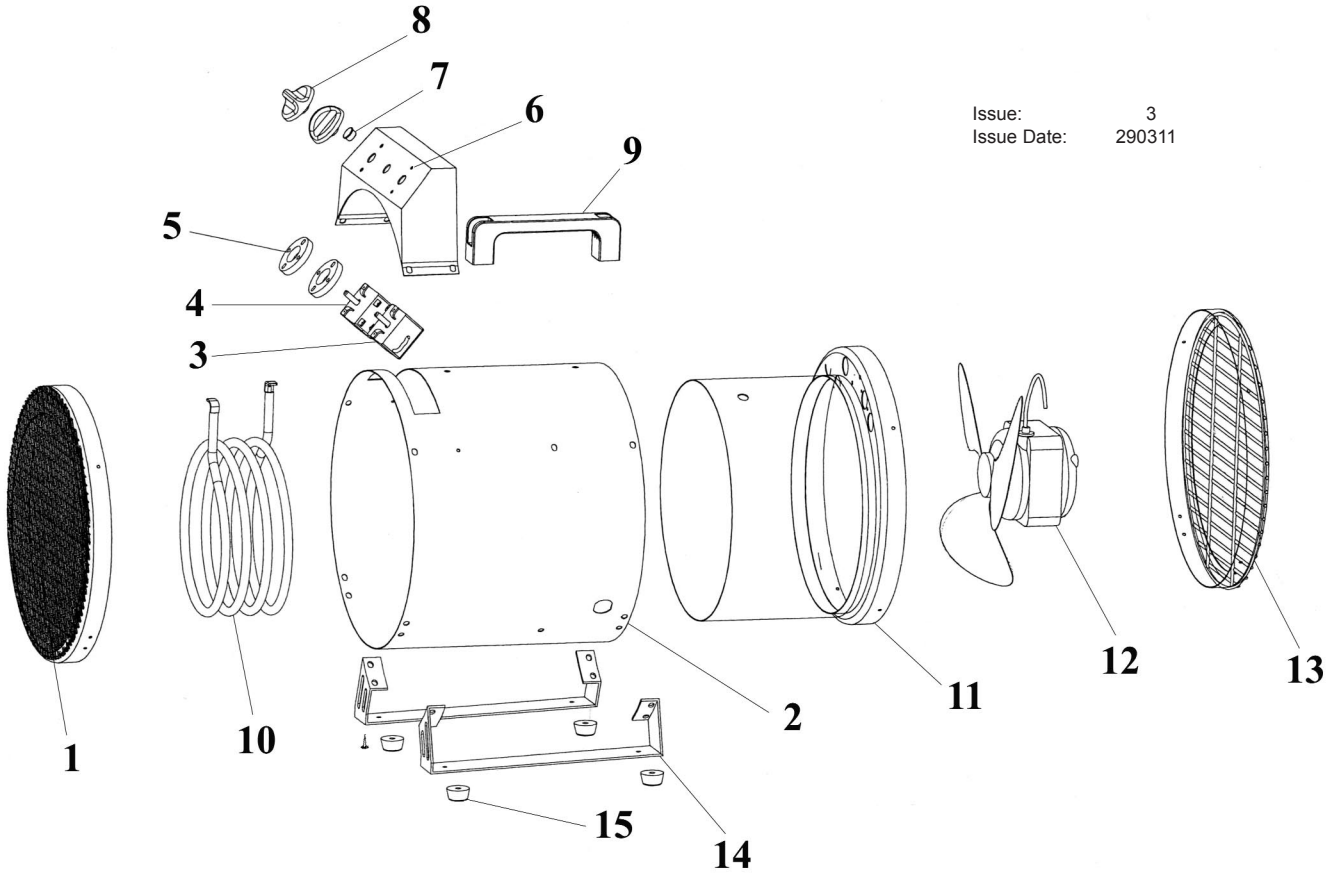


Issue: 3
 Issue Date: 290311



ITEM	PART NO	DESCRIPTION
1	EH2001.01	FRONT GRILLE
2	EH2001.02	CASING
3	EH2001.03	SWITCH
4	EH2001.04	THERMOSTAT
5	EH2001.05	SWITCH RING
6	EH2001.06	CONTROL BOX
--	EH3001.06	THERMAL CUT OUT (not shown)
7	EH2001.07	POWER INDICATOR LIGHT
8	EH2001.08	SWITCH KNOB
9	EH2001.09	HANDLE
10	EH2001.10	HEATING ELEMENT
11	EH2001.11	INNER CASING
12	EH2001.12	MOTOR (c/w FAN)
13	EH2001.13	BACK GRILLE
14	EH2001.14	BASE FRAME
15	EH2001.15	RUBBER FOOT
--	EH2001.FK	FIXING KIT (not shown)

NOTE: It is our policy to continually improve products and as such we reserve the right to alter data, specifications and component parts without prior notice.

IMPORTANT: No liability is accepted for incorrect use of product.

WARRANTY: Guarantee is 12 months from purchase date, proof of which will be required for any claim.

INFORMATION: For a copy of our latest catalogue and promotions call us on 01284 757525 and leave your full name and address, including postcode.