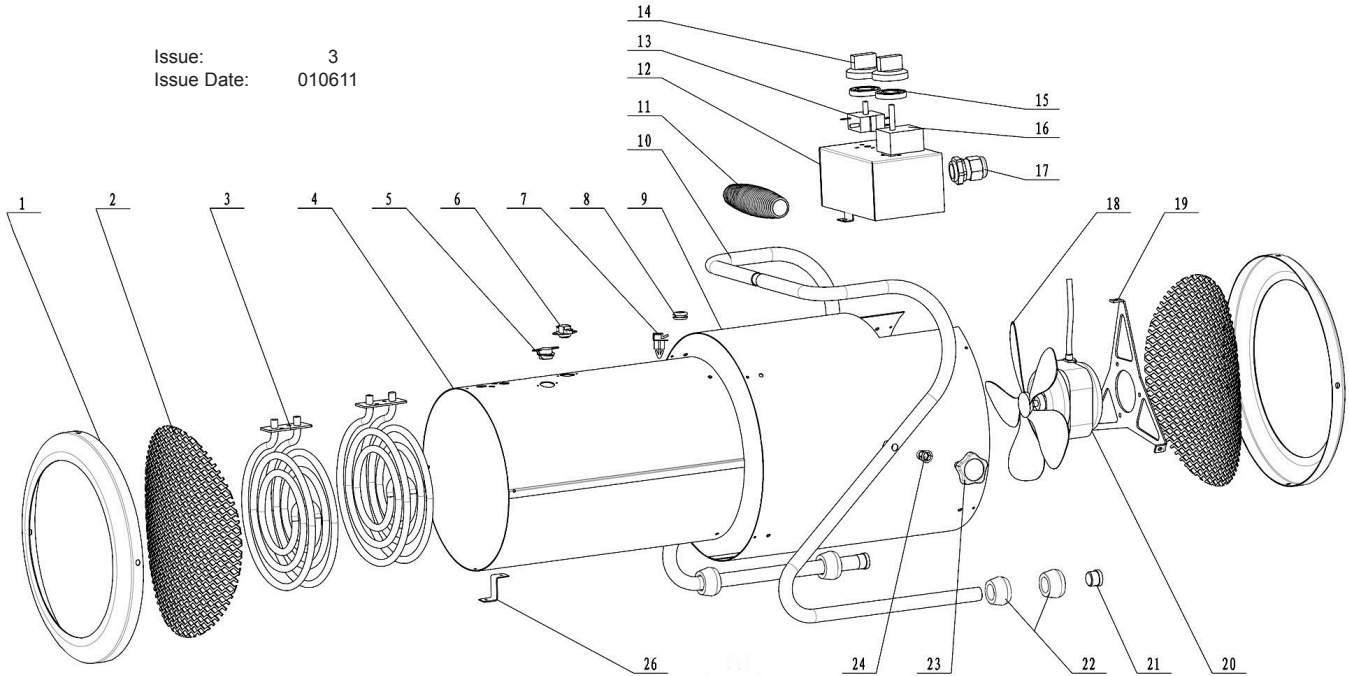


Issue: 3
 Issue Date: 010611



ITEM	PART NO	DESCRIPTION	ITEM	PART NO	DESCRIPTION
1	EH3001.01	COVER FOR GRILLE	15	EH3001.15	SWITCH RING
2	EH3001.02	GRILLE	16	EH3001.16	THERMOSTAT
3	EH3001.03	HEATING ELEMENT 230V/300W	17	EH3001.17	CABLE GRIP
4	EH3001.04	INNER CASING	18	EH3001.18	FAN
5	EH3001.05	TIME-DELAY THERMOSTAT	19	EH3001.19	MOTOR SUPPORT
6	EH3001.06	THERMAL CUT-OUT	20	EH3001.20	MOTOR
7	EH3001.07	SENSOR	21	EH3001.21	END PLUG
8	EH3001.08	WIRE RING	22	EH3001.22	RUBBER FEET
9	EH3001.09	CASING	23	EH3001.23	ADJUSTING KNOB
10	EH3001.10	FRAME	24	EH3001.24	RIVET
11	EH3001.11	HANDLE			
12	EH3001.12	CONTROL BOX	26	EH3001.26	CONNECT PLATE
13	EH3001.13	SWITCH	--	EH3001.FK	FIXING KIT (not shown)
14	EH3001.14	SWITCH KNOB			

NOTE: It is our policy to continually improve products and as such we reserve the right to alter data, specifications and component parts without prior notice.

IMPORTANT: No liability is accepted for incorrect use of product.

WARRANTY: Guarantee is 12 months from purchase date, proof of which will be required for any claim.

INFORMATION: For a copy of our latest catalogue and promotions call us on 01284 757525 and leave your full name and address, including postcode.