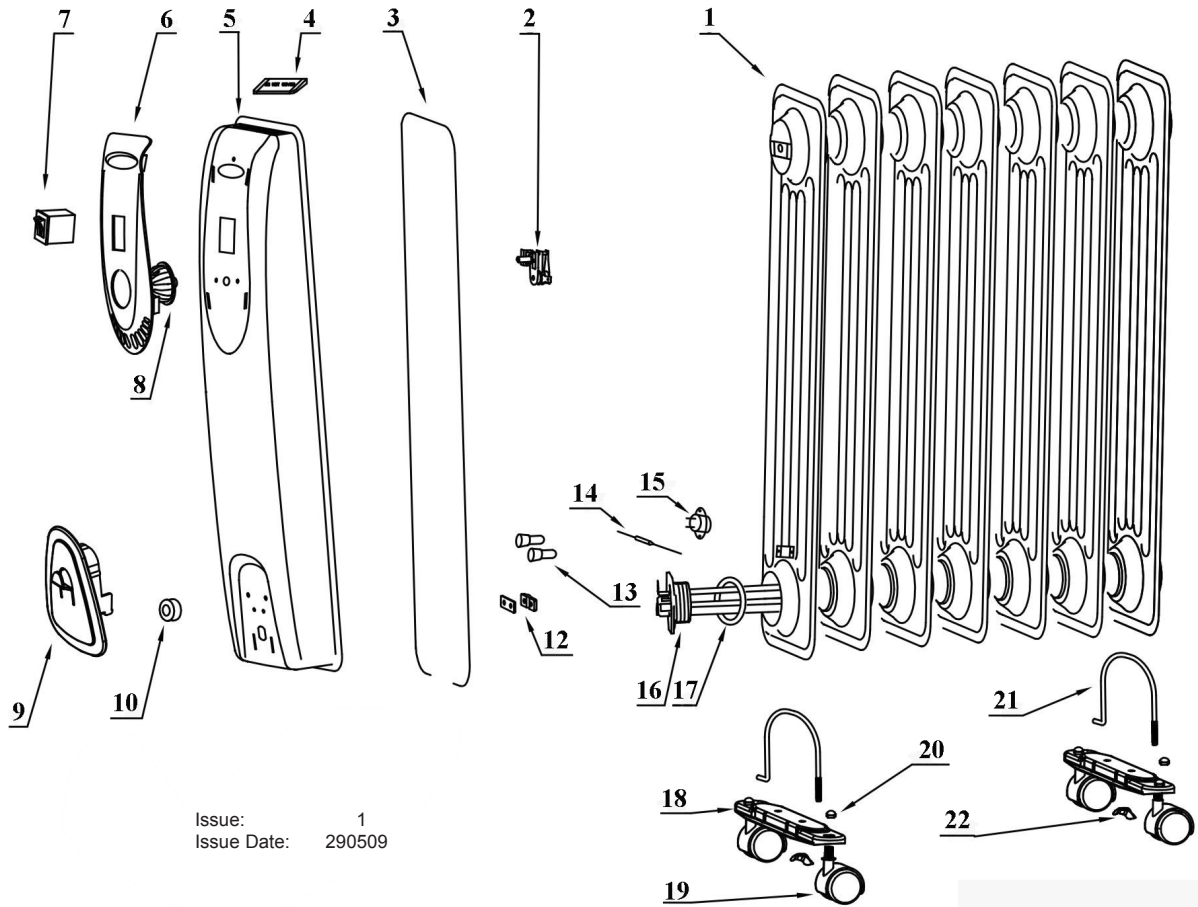


PARTS FOR:  
**OIL FILLED RADIATOR 1500W / 230V (7 ELEMENT)**  
**OIL FILLED RADIATOR 2500W / 230 V (11 ELEMENT)**  
**MODEL: RD1500.V6 & RD2500.V6**



Issue: 1  
 Issue Date: 290509

ITEM	PART NO	DESCRIPTION	ITEM	PART NO	DESCRIPTION
1	RD1500.V6-01	BODY (7 ELEMENTS)	14	RD1500.V6-14	THERMAL FUSE
	RD2500.V6-01	BODY (11 ELEMENTS) *	15	RD1500.V6-15	SAFETY THERMOSTAT
2	RD1500.V6-02	THERMOSTAT	16	RD1500.V6-16	HEATING ELEMENT (1500W)
3	RD1500.V6-03	SEAL		RD2500.V6-16	HEATING ELEMENT (2500W) *
4	RD1500.V6-04	WARNING BOARD	17	RD1500.V6-17	WASHER
5	RD1500.V6-05	FRONT COVER	18	RD1500.V6-18	WHEEL PLATE
6	RD1500.V6-06	PLASTIC PANEL	19	RD1500.V6-19	CASTOR
7	RD1500.V6-07	SWITCH	20	RD1500.V6-20	NUT
8	RD1500.V6-08	KNOB	21	RD1500.V6-21	U-BOLT
9	RD1500.V6-09	CORD STORAGE	22	RD1500.V6-22	WING NUT
10	RD1500.V6-10	BUSHING			
12	RD1500.V6-12	PRESS CORD BOARD			
13	RD1500.V6-13	CAP			

(\* = RD2500.V6 ONLY)

**NOTE:** It is our policy to continually improve products and as such we reserve the right to alter data, specifications and component parts without prior notice.

**IMPORTANT:** No liability is accepted for incorrect use of product.

**WARRANTY:** Guarantee is 12 months from purchase date, proof of which will be required for any claim.

**INFORMATION:** For a copy of our latest catalogue and promotions call us on 01284 757525 and leave your full name and address, including postcode.