

Thank you for purchasing a Sealey product. Manufactured to a high standard this product will give you years of trouble free performance if these instructions are carefully followed and the product is correctly maintained.



IMPORTANT: PLEASE READ THESE INSTRUCTIONS CAREFULLY. NOTE THE SAFE OPERATIONAL REQUIREMENTS, WARNINGS AND CAUTIONS. USE THIS PRODUCT CORRECTLY AND WITH CARE FOR THE PURPOSE FOR WHICH IT IS INTENDED. FAILURE TO DO SO MAY CAUSE DAMAGE OR PERSONAL INJURY, AND WILL INVALIDATE THE WARRANTY. PLEASE RETAIN THESE INSTRUCTIONS FOR FUTURE USE.

1. SAFETY INSTRUCTIONS

- WARNING!** Ensure health & safety, local authority, and general workshop practice regulations are strictly adhered to when using this equipment.
- ✓ Familiarise yourself with product application and limitations, as well as the specific potential hazards peculiar to this product.
- ✓ Maintain the pump in good condition (use an authorised service agent).
- ✓ Replace or repair damaged parts. Use genuine parts only. Non authorised parts will invalidate the warranty.
- ✓ Use only to pump NON-Corrosive fluids such as oil, anti-freeze, degreasants, solvents, agricultural and industrial chemicals, and the like.
- ✓ Ensure safety eye protection and protective clothing are worn when using this product.
- ✓ Keep the work area clean, uncluttered and ensure there is adequate lighting.
- ✓ Maintain correct balance and footing. Ensure the floor is not slippery and wear non slip shoes.
- ✓ Keep children and unauthorised persons away from the working area.
- ✓ Dispose of waste liquids in accordance with local authority regulations.
- x DO NOT use to extract corrosive fluids.
- x DO NOT dismantle, tamper with or adapt the pump for any purpose other than for which it is designed.
- x DO NOT use the unit if it has been dropped or mishandled, check the unit to ensure there is no damage.
- x DO NOT use the pump as a handle to move the fluid drum.
- ✓ Keep the pump clean and store in a safe dry, childproof location.
- WARNING!** DO NOT allow uncontrolled discharge of fluids thus polluting the environment.

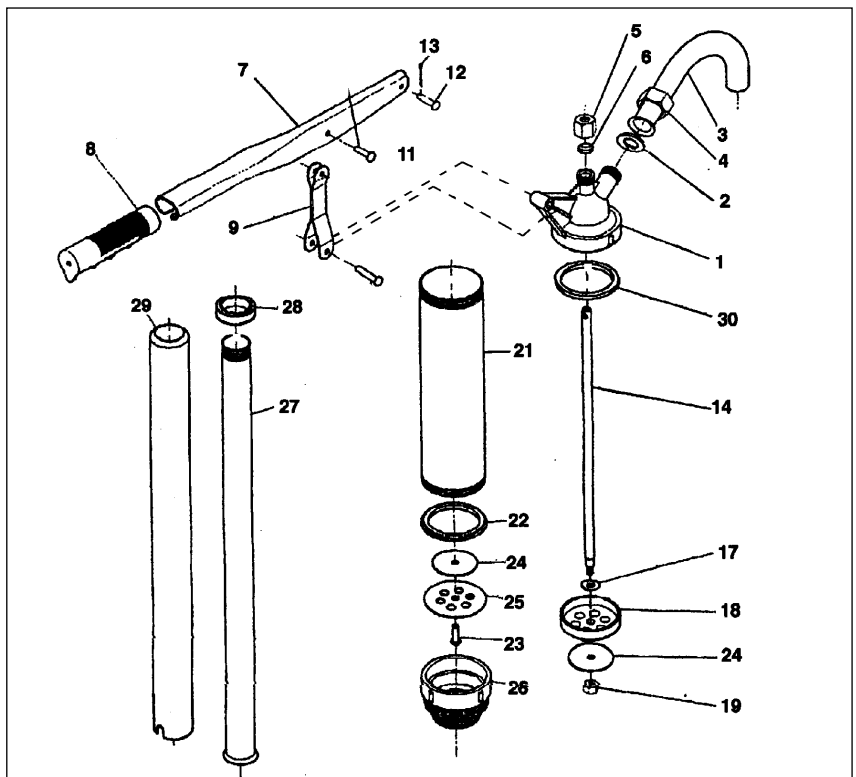


2. APPLICATION

The TP68 is a steel barrelled, self priming lever pump. Supplied with a 2" BSP adaptor and dip-tube suitable for 25 to 210 litre drums. The pump may be used for oils, anti-freeze, degreasants, solvents, agricultural and industrial chemicals, and other non-corrosive fluids. The unit delivers approximately 300ml per stroke. If the spout is removed a hose may be connected to the unit.

3. PARTS LIST

no.	Stock Code	Description
1	TP68/01	Cylinder Cap
2	TP68/02	Spout Seal
3	TP68/03	Discharge Tube
4	TP68/04	Coupling Nut
5	TP68/05	Piston Rod Nut
6	TP68/06	Piston Rod Seal
7	TP68/07	Handle
8	TP68/08	Grip
9	TP68/09	Handle Lever
10	TP68/10	Lever Rivet
11	TP68/11	Lever Rivet
12	TP68/12-13	Handle Rivet & Split Pin
13	TP68/12-13	Split Pin
14	TP68/14	Piston Rod
17	TP68/17	Washer
18	TP68/18	Upper Piston
19	TP68/19	Valve Nut
21	TP68/21	Cylinder Body
22	TP68/22	Foot Valve Seal
23	TP68/23	Rivet
24	TP68/24	Base Plate
25	TP68/25	Piston
26	TP68/26	Bung Adaptor
27	TP68/27	Suction Tube
28	TP68/28	Tube Seal
29	TP68/29	Extension Tube
30	TP68/30	Seal



NOTE: It is our policy to continually improve products and as such we reserve the right to alter data, specifications and component parts without prior notice.

IMPORTANT: No liability is accepted for incorrect use of product. **WARRANTY:** Guarantee is 12 months from purchase date, proof of which will be required for any claim. **INFORMATION:** Call us for a copy of our latest catalogue on 01284 757525 and leave your full name and address including your postcode.