

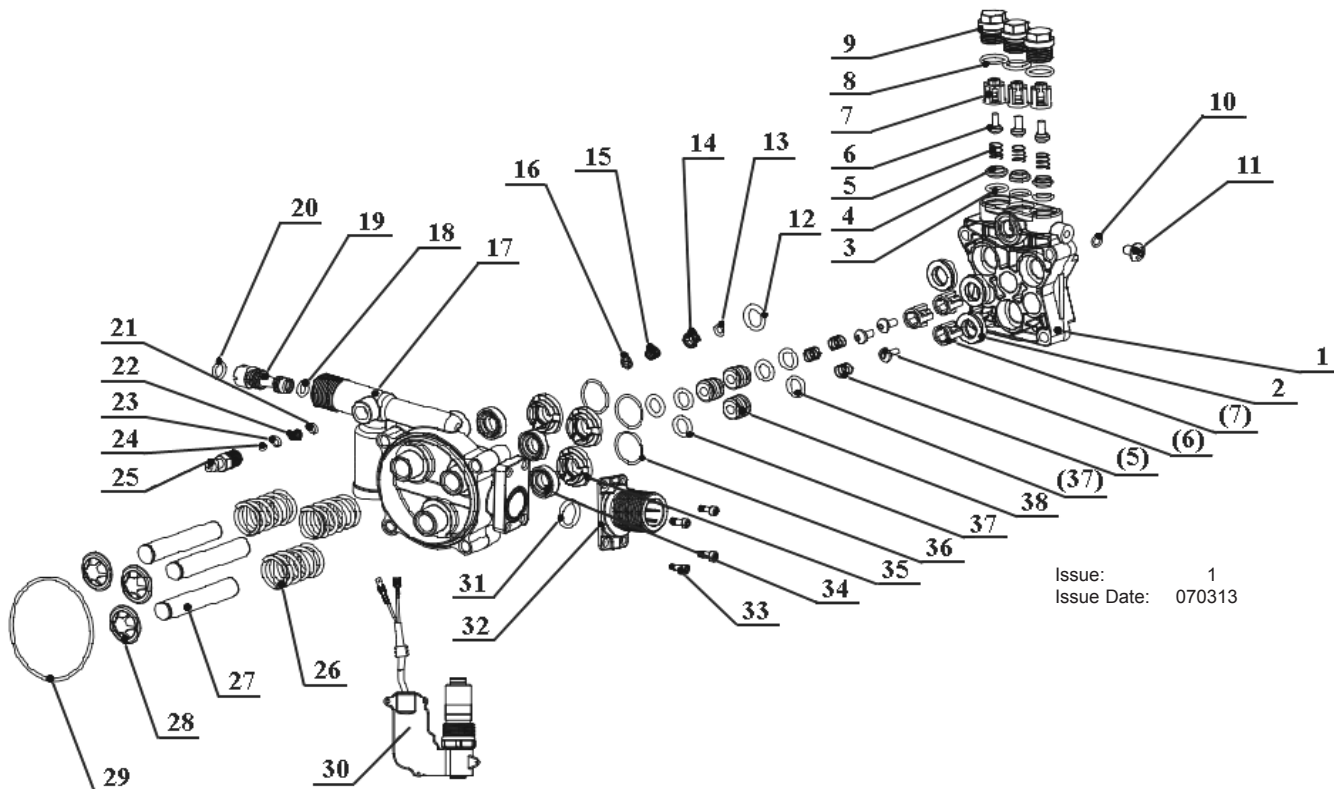
Issue: 1
 Issue Date: 070313

ITEM	PART NO	DESCRIPTION	ITEM	PART NO	DESCRIPTION	ITEM	PART NO	DESCRIPTION
1	PW1750.01	FRONT COVER	22	PW1750.22	HEX SCREW	41	PW1750.41	SELF-TAPPING SCREW
2	PW1750.02	FRONT LABEL	23	PW1750.23	WASHER	42	PW1750.42	MOTOR COVER
3	PW1750.03	FRONT COVER, SIDE	24	PW1750.24	WATER FILTER	43	PW1750.43	MOTOR FAN
4	PW1750.04	BASE	25	PW1750.25	INLET NUT SEAL	44	PW1750.44	DETERGENT BOTTLE
5	PW1750.05	SELF-TAPPING SCREW	26	PW1750.26	INLET NUT	45	PW1750.45	DETERGENT BOTTLE CAP
6	PW1750.06	POWER SWITCH	27	PW1750.27	O-RING	46	PW1750.46	HANDLE COVER
7	PW1750.07	CONNECTION BOX COVER	28	PW1750.28	WHEEL COVER	47	PW1750.47	GUIDE SUPPORT, RIGHT
8	PW1750.08	CAPACITOR	29	PW1750.29	WHEEL	48	PW1750.48	SELF-TAPPING SCREW
9	PW1750.09	CONNECTION BOX SEAL	30	PW1750.30	POWER CORD	49	PW1750.49	GUIDE SUPPORT, LEFT
10	PW1750.10	CONNECTION BOX, BOTTOM	31	PW1750.31	CABLE GRIP	50	PW1750.50	LANCE FOR GUN
11	PW1750.11	POWER CORD COVER	32	PW1750.32	SIDE HOOK	51	PW1750.51	GUN
12	PW1750.12	PUMP ASS'Y	33	PW1750.33	BACK COVER	52	PW1750.52	HIGH PRESSURE HOSE
13	PW1750.13	MOTOR ASS'Y	34	PW1750.34	SCREW	54	PW1750.54	NEEDLE PROBE
14	PW1750.14	HEX SCREW	35	PW1750.35	SPRING WASHER	55	PW1750.55	QUICK CONNECTOR
15	PW1750.15	SPRING WASHER	36	PW1750.36	WASHER	56	PW1750.56	WATER INPUT HOSE
16	PW1750.16	WASHER	37	PW1750.37	LOCK WASHER	57	PW1750.57	QUICK CONNECTOR
17	PW1750.17	CAMPLATE	38	PW1750.38	CONNECTION BOX SEAL (SMALL)			
18	PW1750.18	BEARING ASS'Y	39	PW1750.39	DETERGENT HOSE			
19	PW1750.19	OUTLET COVER						
21	PW1750.21	SPRING WASHER						

NOTE: It is our policy to continually improve products and as such we reserve the right to alter data, specifications and component parts without prior notice.

IMPORTANT: No liability is accepted for incorrect use of product.

WARRANTY: Guarantee is 12 months from purchase date, proof of which will be required for any claim.



Issue: 1
 Issue Date: 070313

ITEM	PART NO	DESCRIPTION	ITEM	PART NO	DESCRIPTION
1	PW1750.P01	PUMP COVER	20	PW1750.P20	O-RING
2	PW1750.P02	WATER SEAL	21	PW1750.P21	SEAL, CONNECION HEAD
3	PW1750.P03	O-RING	22	PW1750.P22	SPRING
4	PW1750.P04	OULET VALVE HOUSING	23	PW1750.P23	O-RING
5	PW1750.P05	SPRING, ONE-WAY VALVE	24	PW1750.P24	STEEL BALL (5mm)
6	PW1750.P06	PIN, ONE-WAY VALVE	25	PW1750.P25	CONNECTION HEAD
7	PW1750.P07	COVER, ONE-WAY VALVE	26	PW1750.P26	SPRING, PLUNGER
8	PW1750.P08	O-RING	27	PW1750.P27	PLUNGER
9	PW1750.P09	PLUG, ONE-WAY VALVE	28	PW1750.P28	SPRING BASE, PLUNGER
10	PW1750.P10	O-RING	29	PW1750.P29	O-RING
11	PW1750.P11	SCREW	30	PW1750.P30	TSS ASS'Y
12	PW1750.P12	O-RING	31	PW1750.P31	SEAL RING
13	PW1750.P13	O-RING	32	PW1750.P32	INLET CONNECTOR
14	PW1750.P14	PIN, ONE-WAY VALVE	33	PW1750.P33	HEX SCREW
15	PW1750.P15	SPRING, ONE-WAY VALVE	34	PW1750.P34	OIL BLOCK, PLUNGER
16	PW1750.P16	SPRING BASE, VALVE	35	PW1750.P35	SUPPORT, PLUNGER
17	PW1750.P17	PUMP BODY	36	PW1750.P36	O-RING
18	PW1750.P18	O-RING	37	PW1750.P37	O-RING
19	PW1750.P19	CONNECTION HEAD	38	PW1750.P38	HOUSING, INLET VALVE

NOTE: It is our policy to continually improve products and as such we reserve the right to alter data, specifications and component parts without prior notice.

IMPORTANT: No liability is accepted for incorrect use of product.

WARRANTY: Guarantee is 12 months from purchase date, proof of which will be required for any claim.