

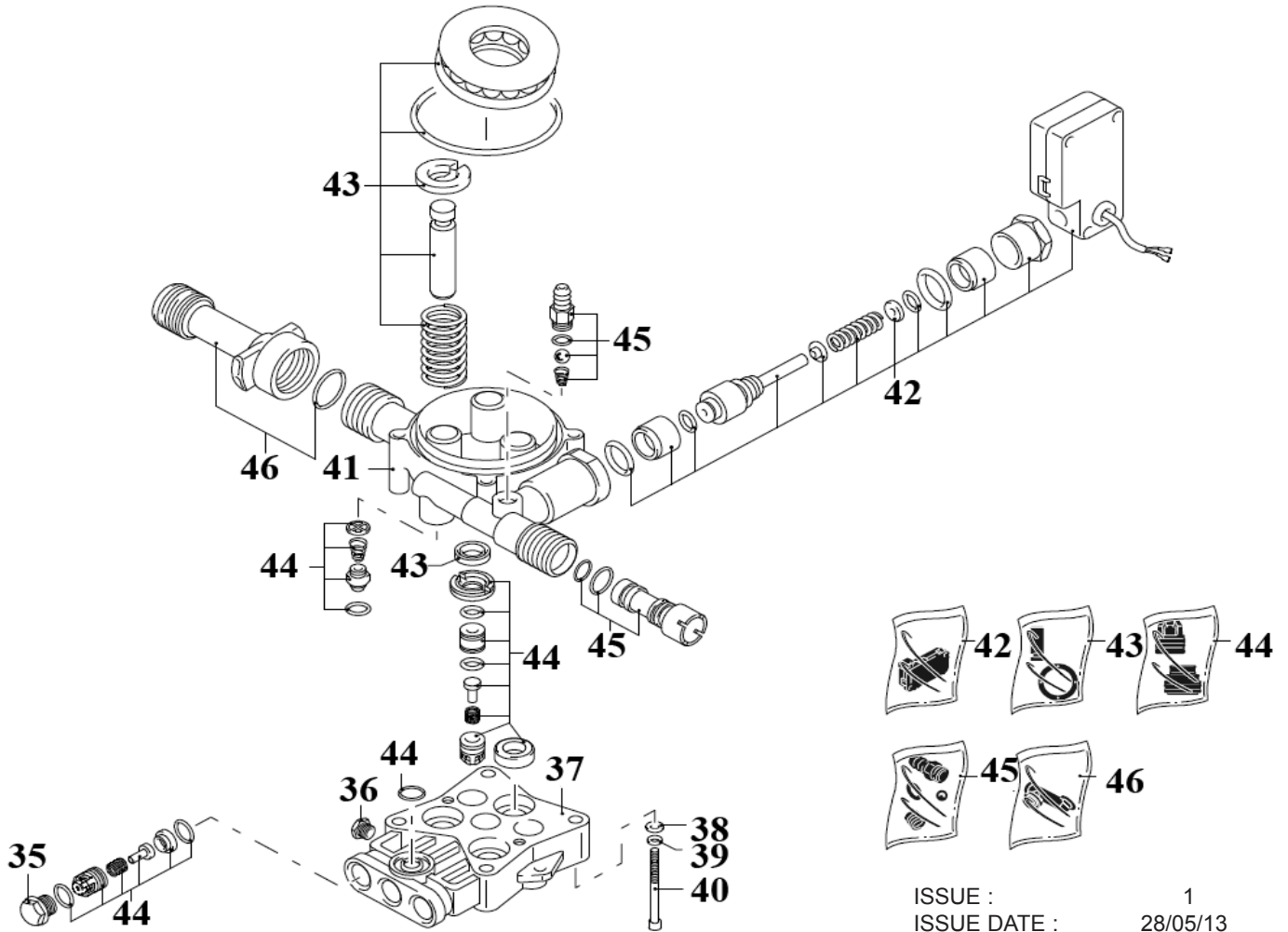
ISSUE : 1  
 ISSUE DATE : 28/05/13

ITEM	PART NO	DESCRIPTION	ITEM	PART NO	DESCRIPTION
1	181.3080810	KNOB	18	181.3081650	U-PIN
2	181.3082680	FRONT GUARD	19	181.3081490	DETERGENT HOSE
3	181.3082130	WATER COUPLING	20	181.3080390	CABLE REEL
4	181.3080340	GRILLE (SMALL)	21	181.3080220	CRANK HANDLE
5	181.3080330	GRILLE (LARGE)	22	181.3081060	CRANK HANDLE KNOB
6	181.3080480	FRONT CAP	23	181.3080820	HANDLE COVER
7	181.3080291	CASING	24	181.3080321	BACK COVER
8	181.3082690	GUARD (SIDE)	25	181.3080370	SOAP TANK
9	181.3082010	SWITCH BOX	26	181.3080190	ACCESSORIES CARRIER
10	181.3082000	DETERGENT REGULATOR	27	181.3080580	CABLE GLAND
11	181.3441170	MOTOR SUPPORT	28	181.3440660	POWER CABLE
12	181.3441190	ELECTRIC PUMP ASS'Y	29	181.3080361	WHEEL
13	181.3081630	CAPACITOR COVER	30	181.3081620	CAPACITOR
14	181.3080520	CONVEYOR	31	181.3081070	CARRIER BRACKET
15	181.3081640	HIGH PRESSURE HOSE	32	181.3400530	SCREW KIT
16	181.3080780	FITTING	33	181.3080380	SOAP TANK CAP
17	181.3080420	PRESSURE GAUGE	34	181.3084130	DETERGENT HOSE

NOTE: It is our policy to continually improve products and as such we reserve the right to alter data, specifications and component parts without prior notice.

IMPORTANT: No liability is accepted for incorrect use of product.

WARRANTY: Guarantee is 12 months from purchase date, proof of which will be required for any claim.



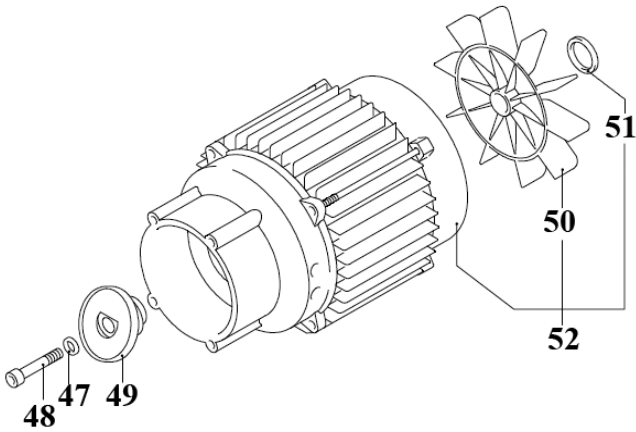
ISSUE : 1  
 ISSUE DATE : 28/05/13

ITEM	PART NO	DESCRIPTION
35	181.3083210	PLUG
36	181.3081730	SCREW
37	181.3083220	PUMP HEAD
38	181.3081760	WASHER
39	181.3081750	WASHER
40	181.3081740	SCREW
41	181.3083230	PUMP BODY
42	181.3440560	TSS KIT
43	181.3440570	PISTON/SEALS KIT
44	181.3081290	VALVES/SEALS KIT
45	181.3440610	DETERGENT SUCTION KIT
46	181.3440620	SUCTION KIT

*NOTE: It is our policy to continually improve products and as such we reserve the right to alter data, specifications and component parts without prior notice.*

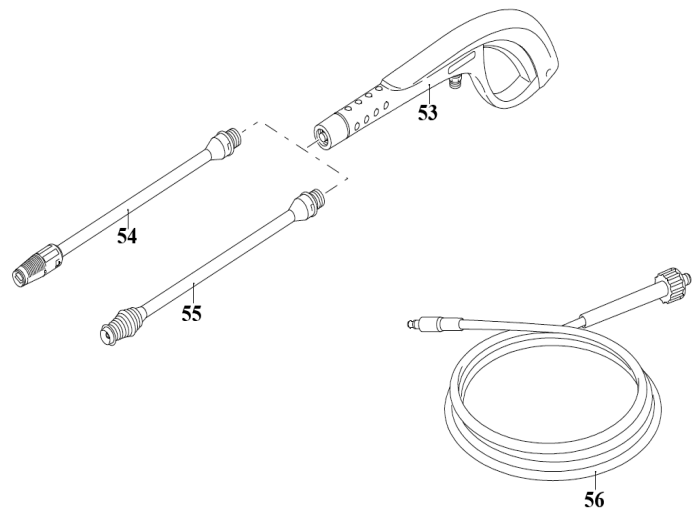
**IMPORTANT:** No liability is accepted for incorrect use of product.

**WARRANTY:** Guarantee is 12 months from purchase date, proof of which will be required for any claim.



ITEM	PART NO	DESCRIPTION
47	181.3081750	WASHER
48	181.3081950	SCREW
49	181.3440950	WOBBLE PLATE
50	181.3440370	FAN
51	181.3441000	FAN RING
52	181.3441180	MOTOR

ITEM	PART NO	DESCRIPTION
53	181.308271	GUN
54	181.308307	LANCE
55	181.340034	LANCE (ROTOPOWER)
56	181.30821	HIGH PRESSURE HOSE



ISSUE : 1  
 ISSUE DATE : 28/05/13

*NOTE: It is our policy to continually improve products and as such we reserve the right to alter data, specifications and component parts without prior notice.*

**IMPORTANT:** No liability is accepted for incorrect use of product.

**WARRANTY:** Guarantee is 12 months from purchase date, proof of which will be required for any claim.