

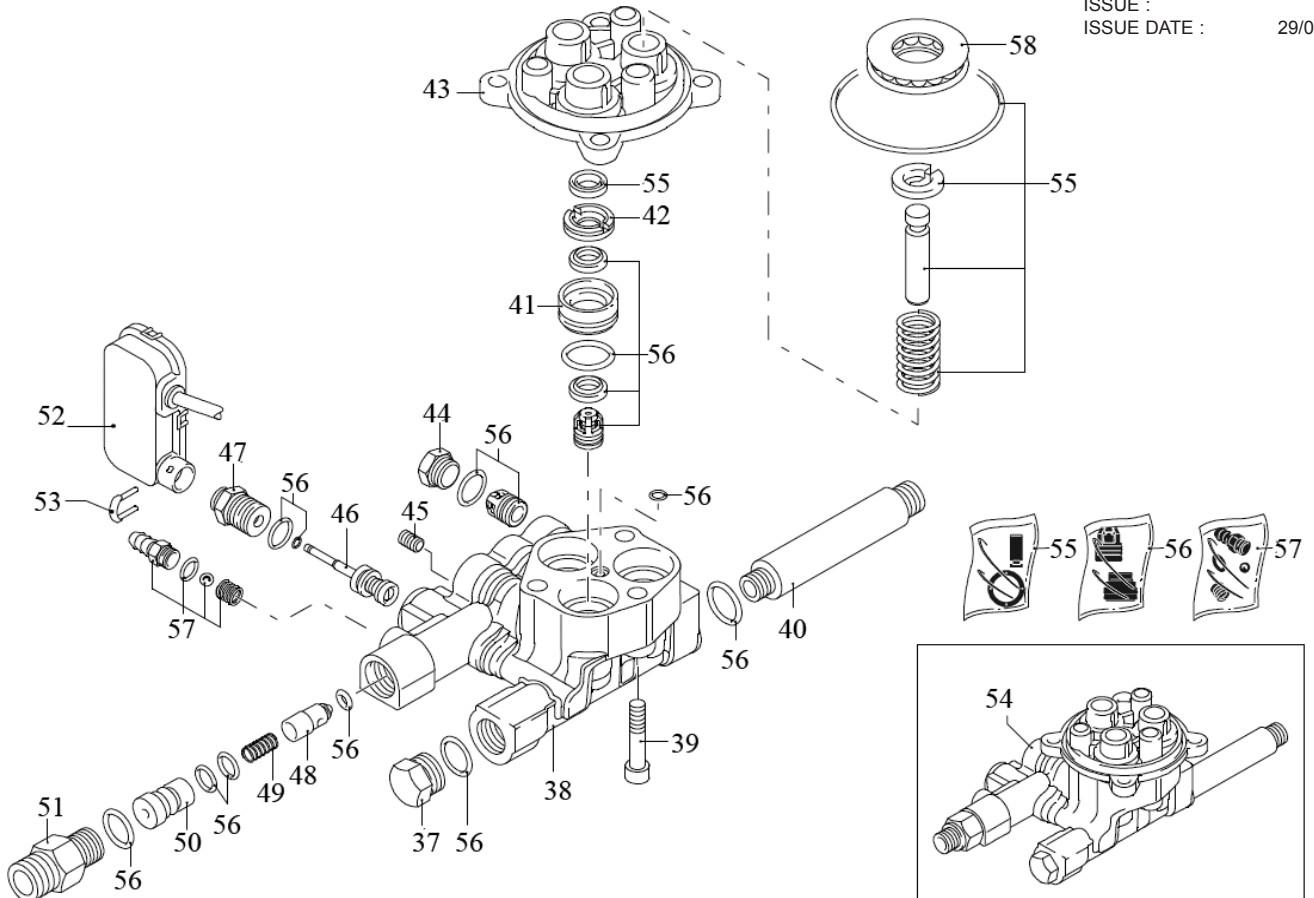
ISSUE : 1
 ISSUE DATE : 29/05/13

| ITEM | PART NO | DESCRIPTION | ITEM | PART NO | DESCRIPTION |
|------|-------------|---------------------|------|-------------|---------------------|
| 1 | 181.3080810 | KNOB | 19 | 181.3400111 | U-PIN |
| 2 | 181.3080311 | FRONT GUARD | 20 | 181.3080390 | CABLE REEL |
| 3 | 181.3082130 | WATER COUPLING | 21 | 181.3080220 | CRANK HANDLE |
| 4 | 181.3400080 | GUARD, LOWER | 22 | 181.3081063 | CRANK HANDLE KNOB |
| 5 | 181.3400100 | SUPPORT | 23 | 181.3080820 | HANDLE COVER |
| 6 | 181.3080480 | FRONT CAP | 24 | 181.3080321 | BACK COVER |
| 7 | 181.3400051 | CASING | 25 | 181.3080370 | SOAP TANK |
| 8 | 181.3080301 | SIDE GUARD, LEFT | 26 | 181.3080190 | ACCESSORIES CARRIER |
| 9 | 181.3082010 | SWITCH BOX | 27 | 181.3080580 | CABLE GLAND |
| 10 | 181.3082000 | DETERGENT REGULATOR | 28 | 181.3441120 | POWER CABLE |
| 11 | 181.3400030 | MOTOR SUPPORT | 29 | 181.3400560 | WHEEL |
| 12 | 181.3400330 | ELECTRIC PUMP ASS'Y | 30 | 181.3400760 | CAPACITOR |
| 13 | 181.3081630 | CAPACITOR COVER | 31 | 181.3081070 | CARRIER BRACKET |
| 14 | 181.3400040 | CONVEYOR | 32 | 181.3400090 | SUPPORT |
| 15 | 181.3081640 | HIGH PRESSURE HOSE | 33 | 181.3080380 | SOAP TANK CAP |
| 16 | 181.3080780 | FITTING | 34 | 181.3400530 | SCREW KIT |
| 17 | 181.3400630 | PRESSURE GAUGE | 35 | 181.3081490 | DETERGENT HOSE |
| 18 | 181.3081650 | U-PIN | 36 | 181.3084130 | DETERGENT HOSE |

NOTE: It is our policy to continually improve products and as such we reserve the right to alter data, specifications and component parts without prior notice.

IMPORTANT: No liability is accepted for incorrect use of product.

WARRANTY: Guarantee is 12 months from purchase date, proof of which will be required for any claim.

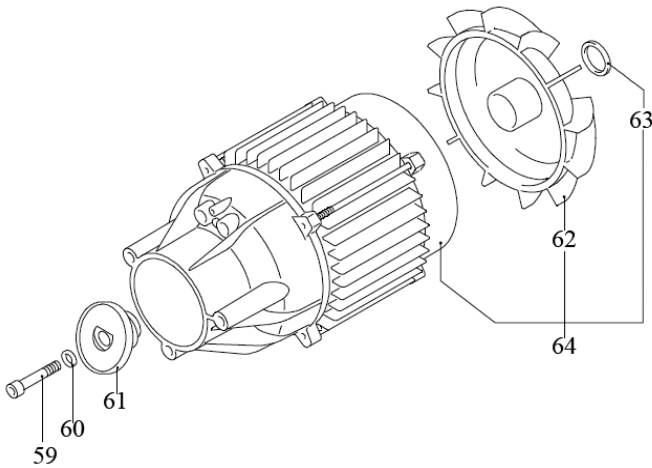


| ITEM | PART NO | DESCRIPTION |
|------|-------------|-----------------------|
| 37 | 181.1980740 | PLUG |
| 38 | 181.2900430 | PUMP HEAD |
| 39 | 181.800220 | HEX HEAD BOLT |
| 40 | 181.3400161 | FITTING |
| 41 | 181.2840550 | BUSHING |
| 42 | 181.2840540 | BUSHING |
| 43 | 181.3400020 | PISTON GUIDE |
| 44 | 181.2840130 | PLUG |
| 45 | 181.2840830 | GRUB SCREW |
| 46 | 181.2909006 | SPRING ASS'Y |
| 47 | 181.2900130 | FITTING |
| 48 | 181.2901070 | SHUTTER |
| 49 | 181/1080091 | BALL SPRING (SO) |
| 50 | 181.2901110 | INJECTOR |
| 51 | 181.3400150 | FITTING |
| 52 | 181.3400400 | TSS ASS'Y |
| 53 | 181.2022201 | U-PIN |
| 54 | 181.3409400 | PUMP ASS'Y |
| 55 | 181.3400420 | PISTON/SEALS KIT |
| 56 | 181.3400430 | VALVES/SEALS KIT |
| 57 | 181.3400440 | DETERGENT SUCTION KIT |
| 58 | 181.3400540 | BEARING |

NOTE: It is our policy to continually improve products and as such we reserve the right to alter data, specifications and component parts without prior notice.

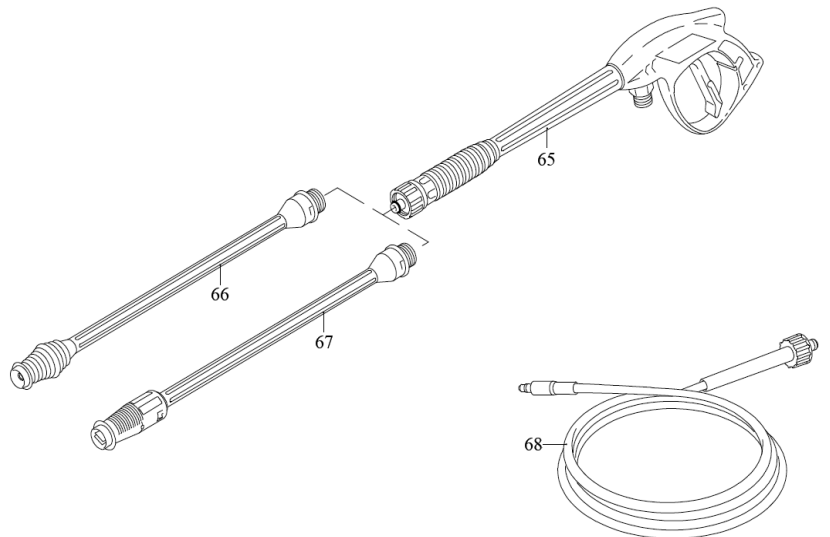
IMPORTANT: No liability is accepted for incorrect use of product.

WARRANTY: Guarantee is 12 months from purchase date, proof of which will be required for any claim.



| ITEM | PART NO | DESCRIPTION |
|------|-------------|--------------|
| 59 | 181.3081950 | SCREW |
| 60 | 181.3081750 | WASHER |
| 61 | 181.3400600 | WOBBLE PLATE |
| 62 | 181.3440370 | FAN |
| 63 | 181.3441000 | FAN RING |
| 64 | 181.3400580 | MOTOR |

| ITEM | PART NO | DESCRIPTION |
|------|-------------|--------------------|
| 65 | 181.3400260 | GUN |
| 66 | 181.3400280 | LANCE (ROTOPOWER) |
| 67 | 181.3400270 | LANCE |
| 68 | 181.3082100 | HIGH PRESSURE HOSE |



ISSUE : 1
ISSUE DATE : 29/05/13

NOTE: It is our policy to continually improve products and as such we reserve the right to alter data, specifications and component parts without prior notice.

IMPORTANT: No liability is accepted for incorrect use of product.

WARRANTY: Guarantee is 12 months from purchase date, proof of which will be required for any claim.