

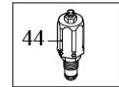
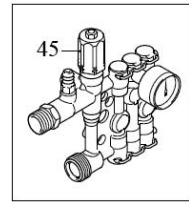
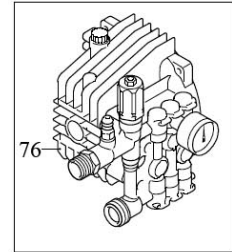
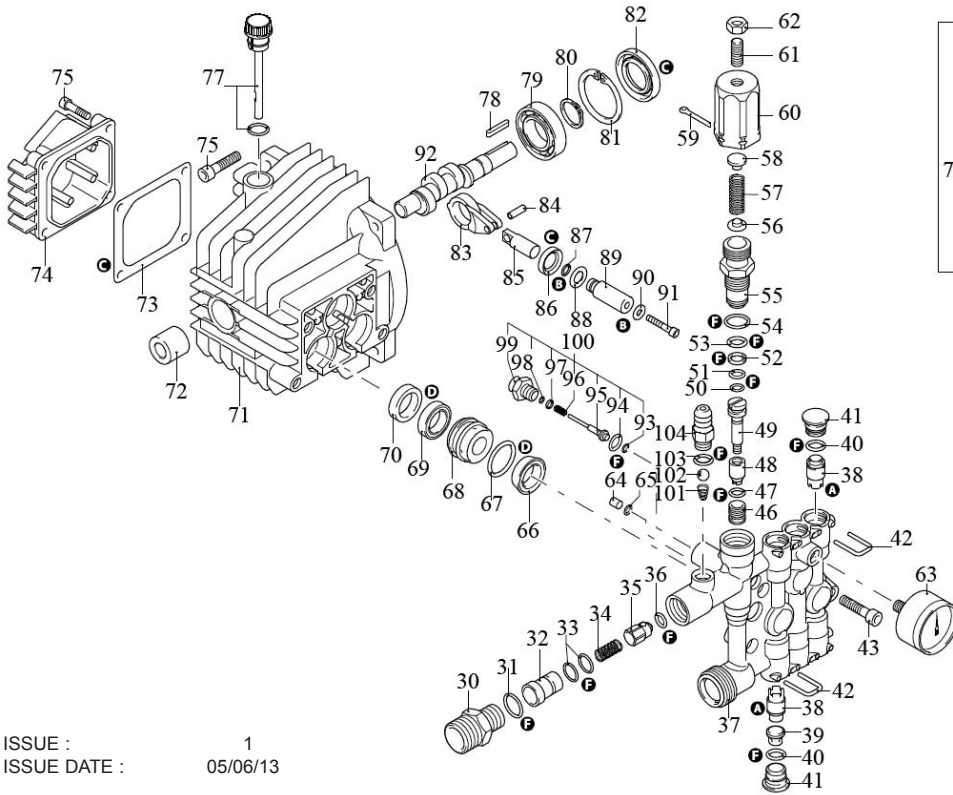
ISSUE : 1
ISSUE DATE : 05/06/13

ITEM	PART NO	DESCRIPTION	ITEM	PART NO	DESCRIPTION
1	181.3600140	WHEEL	16	181.3082130	WATER COUPLING
2	181.3600180	WHEEL RETAINING RING	17	181.50019	FRAME KNOB
3	181.3600010	WHEEL GUARD, RIGHT	18	181.50037	KNOB SCREW
4	181.3600020	WHEEL GUARD, LEFT	19	181/1060120	NUT (SO) (NLA)
5	181.2000110	SCREW	20	181.2021780	FRONT COVER SCREW
6	181.3600040	LOWER GUARD	21	181.3600031	WHEEL COVER
7	181.3600190	ANTI-VIBRATION FOOT	22	181.3600281	PUMP COVER
8	181.3600121	FRAME	23	181.3600330	PUMP COVER SCREW
9	181.320350	SCREW	24	181.1270960	DETERGENT HOSE
10	181.3600200	UPPER GUARD	25	181.42113	TANK CAP
11	181.2060200	SCREW	26	181.3600250	TANK
12	181/2100300	SCREW, M5 X 16 POZI PAN TWINFAST	27	181.2000230	DETERGENT SUCTION FILTER
13	181.3600321	FRONT COVER	28	181.3600070	CARRIER BRACKET
14	181.2500330	DETERGENT HOSE	29	181.2360760	KNOB
15	181.2360360	SCREW			

NOTE: It is our policy to continually improve products and as such we reserve the right to alter data, specifications and component parts without prior notice.

IMPORTANT: No liability is accepted for incorrect use of product.

WARRANTY: Guarantee is 12 months from purchase date, proof of which will be required for any claim.



- 105 A
- 106 B
- 107 C
- 108 D
- 109 F

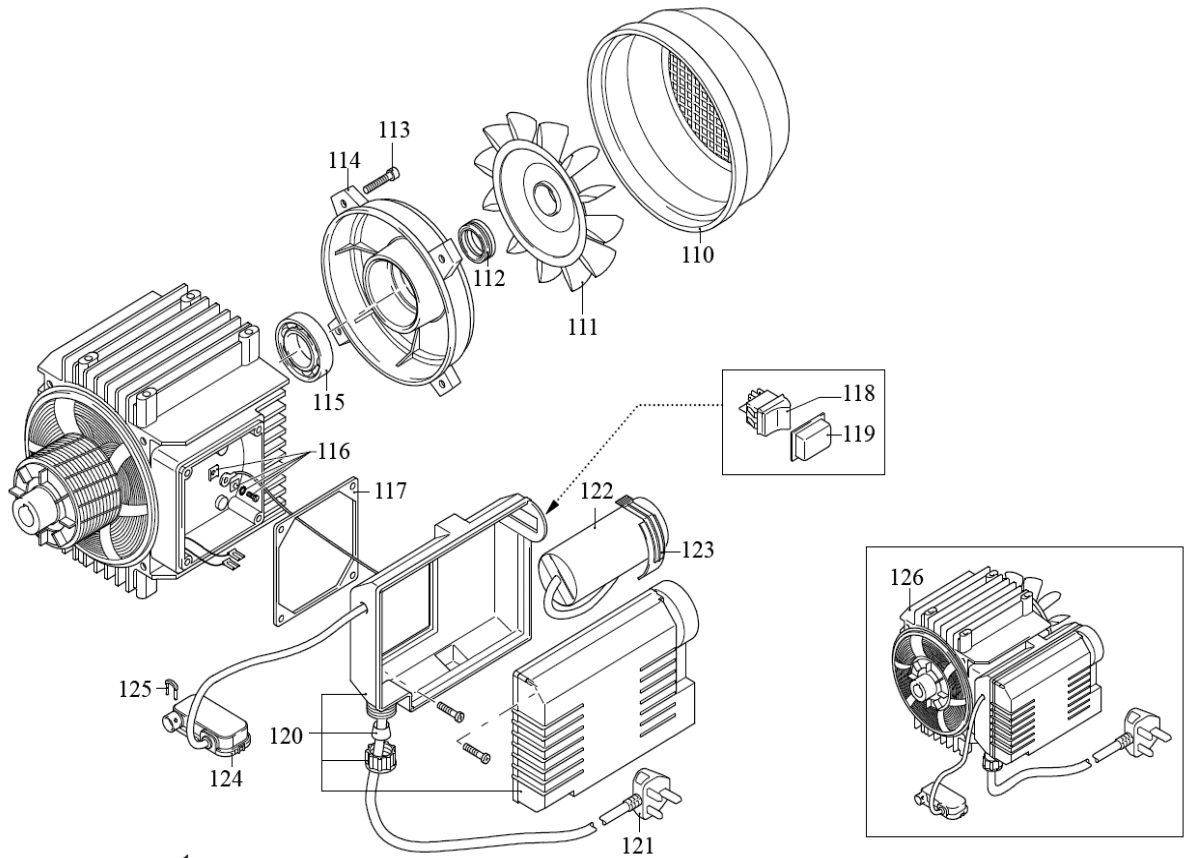
ISSUE : 1
 ISSUE DATE : 05/06/13

ITEM	PART NO	DESCRIPTION	ITEM	PART NO	DESCRIPTION	ITEM	PART NO	DESCRIPTION
30	181.2900120	FITTING	57	181/1460190	SPRING	84	181/1340080	PIN
31	181/740290	O-RING	58	181/1980220	SPRING PLATE	85	181/1340070	PISTON
32	181.2901060	INJECTOR	59	181.2500550	SPLIT PIN	86	181/1260460	SEAL
33	181/800560	O-RING	60	181.1344881	TOP COVER	87	181/600180	O-RING
34	181/1080091	BALL SPRING	61	181.1980740	PLUG	88	181/1341010	WASHER
35	181.2901070	SHUTTER	62	181/1060120	NUT	89	181/1342740	PISTON
36	181/1460430	O-RING	63	181.3233	GAUGE 2300psi 40MM OD R/FIT	90	181/1341020	WASHER
37	181.1344850	PUMP HEAD	64	181.1344890	PLUG	91	181/850670	SCREW
38	181.1349055	UNLOADER VALVE	65	181.2560870	O-RING	92	181/1340170	CAM SHAFT
39	181.1344770	SPACER	66	181.2460180	WATER SEAL	93	181/1120680	O-RING
40	181/1465720	O-RING	67	181/770260	O-RING	94	181/600180	O-RING
41	181.1344800	END PLUG	68	181.1344750	PISTON GUIDE	95	181.2022040	VALVE PIN
42	181.1344790	U-PIN	69	181/1260440	GASKET	96	181.2021630	VALVE SPRING
43	181/850850	SCREW	70	181.1344760	SEAL RING	97	181.2021650	VALVE WASHER
44	181.42579	VALVE ADJUSTMENT	71	181/1344050	CASING, REGULATOR END	98	181/1260820	O-RING
45	181.1349203	PUMP HEAD ASS'Y	72	181/1260050	ROLLER BEARING	99	181.1344830	FITTING
46	181.1342701	PISTON SEAT	73	181.1040710	O-RING	100	181.42580	TSS KIT
47	181/600180	O-RING	74	181.1344060	SIDE COVER	101	181/1560520	SPRING
48	181.1460151	PISTON	75	181/1260780	SCREW	102	181/1250280	BALL (5.5mm)
49	181.2021900	PISTON	76	181.1349281	COMPLETE PUMP ASS'Y	103	181/480480	O-RING
50	181/1080190	O-RING	77	181.1349000	DIPSTICK	104	181.1982520	HOSE TAIL
51	181/600180	O-RING	78	181/880111	KEY	105	181.42566	VALVE KIT
52	181/1080401	SPRING WASHER 11mm O/D	79	181/1341070	BEARING	106	181/KIT 2623	PISTON KIT
53	181/820510	O-RING	80	181/480890	CIRCLIP, EXTERNAL	107	181/KIT 1876	SEAL KIT
54	181/740290	O-RING	81	181.11112	RETAINING RING	108	181.42567	WATER SEAL KIT
55	181.1344870	PISTON GUIDE	82	181/1341080	SEAL	109	181.42568	GASKET KIT
56	181.1343450	SPRING PLATE	83	181/1340060	CAM			

NOTE: It is our policy to continually improve products and as such we reserve the right to alter data, specifications and component parts without prior notice.

IMPORTANT: No liability is accepted for incorrect use of product.

WARRANTY: Guarantee is 12 months from purchase date, proof of which will be required for any claim.



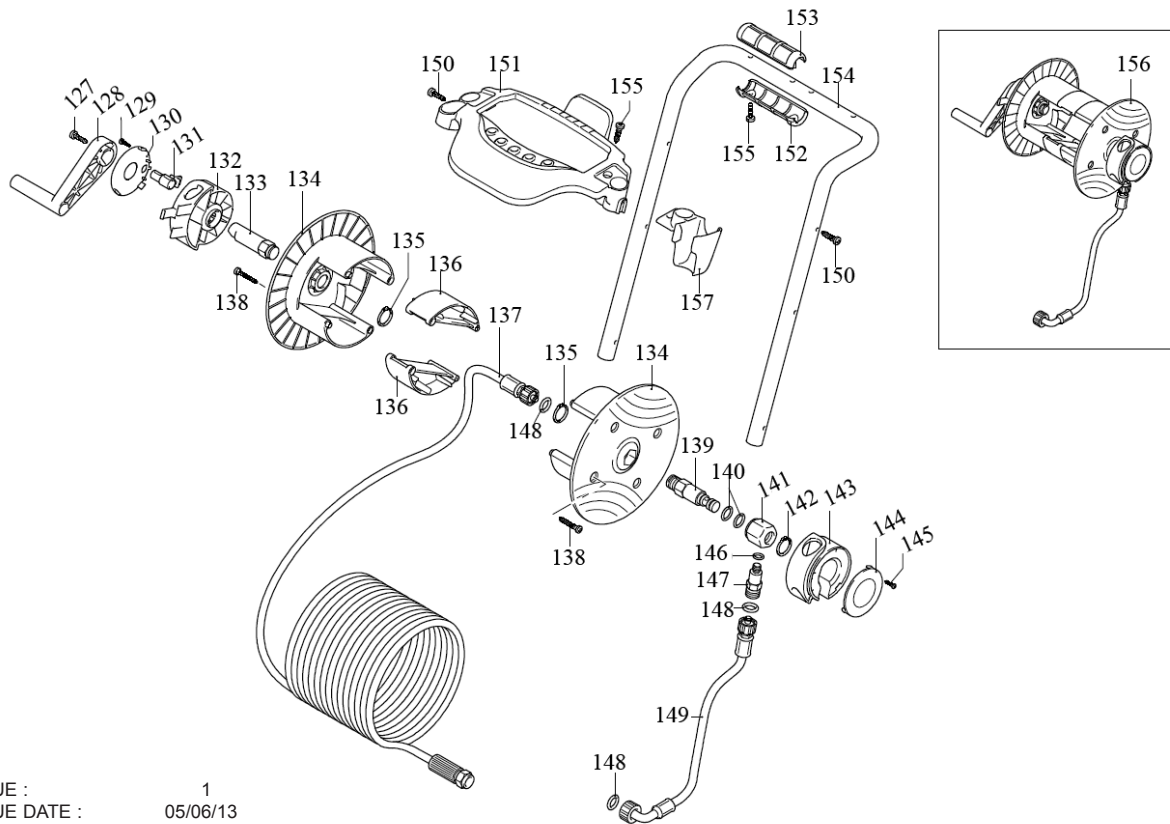
ISSUE : 1
ISSUE DATE : 05/06/13

ITEM	PART NO	DESCRIPTION
110	181.1342040	MOTOR FAN COVER
111	181/1260300	FAN, MOTOR
112	181/1340350	SPACER
113	181/1260760	SCREW
114	181/1340320	HOUSING
115	181/1340340	BEARING
116	181/1269100	CONNECTION
117	181/1340780	GASKET
118	181/1682270	SWITCH
119	181.2102600	SWITCH COVER
120	181.1342261	SWITCH BOX HOUSING
121	181.3780700	CABLE+PLUG
122	181/1263520	CAPACITOR (40uf)
123	181.1342080	CAPACITOR CLIP
124	181.2029752	TSS ASS'Y
125	181.2022201	U-PIN
126	181.44693	MOTOR ASS'Y

NOTE: It is our policy to continually improve products and as such we reserve the right to alter data, specifications and component parts without prior notice.

IMPORTANT: No liability is accepted for incorrect use of product.

WARRANTY: Guarantee is 12 months from purchase date, proof of which will be required for any claim.



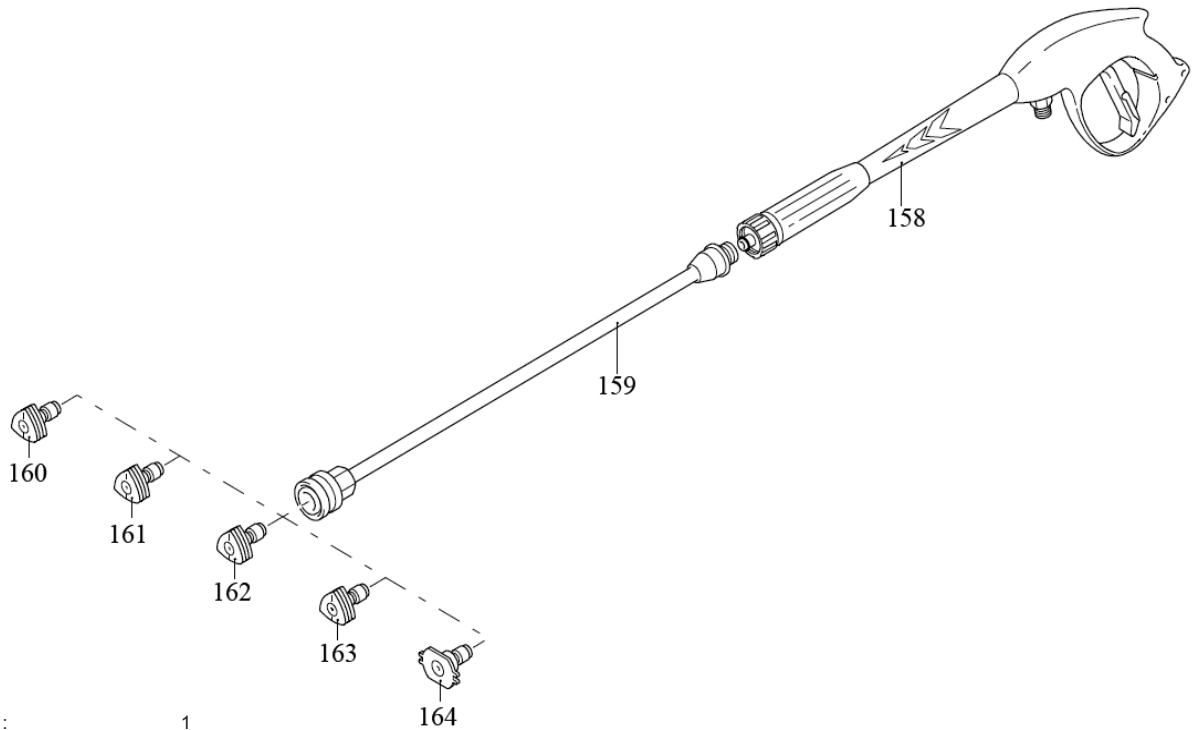
ISSUE : 1
ISSUE DATE : 05/06/13

ITEM	PART NO	DESCRIPTION	ITEM	PART NO	DESCRIPTION
127	181.2360360	SCREW	143	181.3600080	SIDE BRACKET, RIGHT
128	181.2360150	HOSE REEL LEVER	144	181.3600110	SIDE PLATE
129	181.2060200	SCREW	145	181.2060200	SCREW
130	181.3600210	WINDING HANDLE COVER	146	181/820510	O-RING
131	181.3600100	HOOK	147	181.3600560	FITTING
132	181.3600090	BRACKET	148	181/2000770	O-RING
133	181.3600160	HUB PIN	149	181.2500351	HIGH PRESSURE HOSE (SHORT)
134	181.2360230	HOSE REEL	150	181.2060200	SCREW
135	181.380420	CIRCLIP	151	181.3600050	PRESSURE HOSE CARRIER
136	181.3580120	SPACER	152	181.3580090	HANDLE GUARD (LOWER)
137	181.3600580	HIGH PRESSURE HOSE	153	181.3580180	HANDLE GUARD (UPPER)
138	181.2021780	FRONT COVER SCREW	154	181.3600130	HANDLE FRAME
139	181.3600240	HUB PIN	155	181/2100300	SCREW, M5 X 16 POZI PAN TWINFAST
140	181/380080	RING	156	181.42658	HOSE REEL ASS'Y
141	181.3600220	FITTING	157	181.3600060	ACCESSORIES CARRIER
142	181/480890	CIRCLIP, EXTERNAL			

NOTE: It is our policy to continually improve products and as such we reserve the right to alter data, specifications and component parts without prior notice.

IMPORTANT: No liability is accepted for incorrect use of product.

WARRANTY: Guarantee is 12 months from purchase date, proof of which will be required for any claim.



ISSUE : 1
 ISSUE DATE : 05/06/13

ITEM	PART NO	DESCRIPTION
158	181.40925	GUN
159	181.3600340	LANCE
160	181.3600440	NOZZLE (0deg)
161	181.3600450	NOZZLE (15deg)
162	181.3600460	NOZZLE (25deg)
163	181.3600470	NOZZLE (40deg)
164	181.3600400	NOZZLE (LOW PRESSURE)

NOTE: It is our policy to continually improve products and as such we reserve the right to alter data, specifications and component parts without prior notice.

IMPORTANT: No liability is accepted for incorrect use of product.

WARRANTY: Guarantee is 12 months from purchase date, proof of which will be required for any claim.