

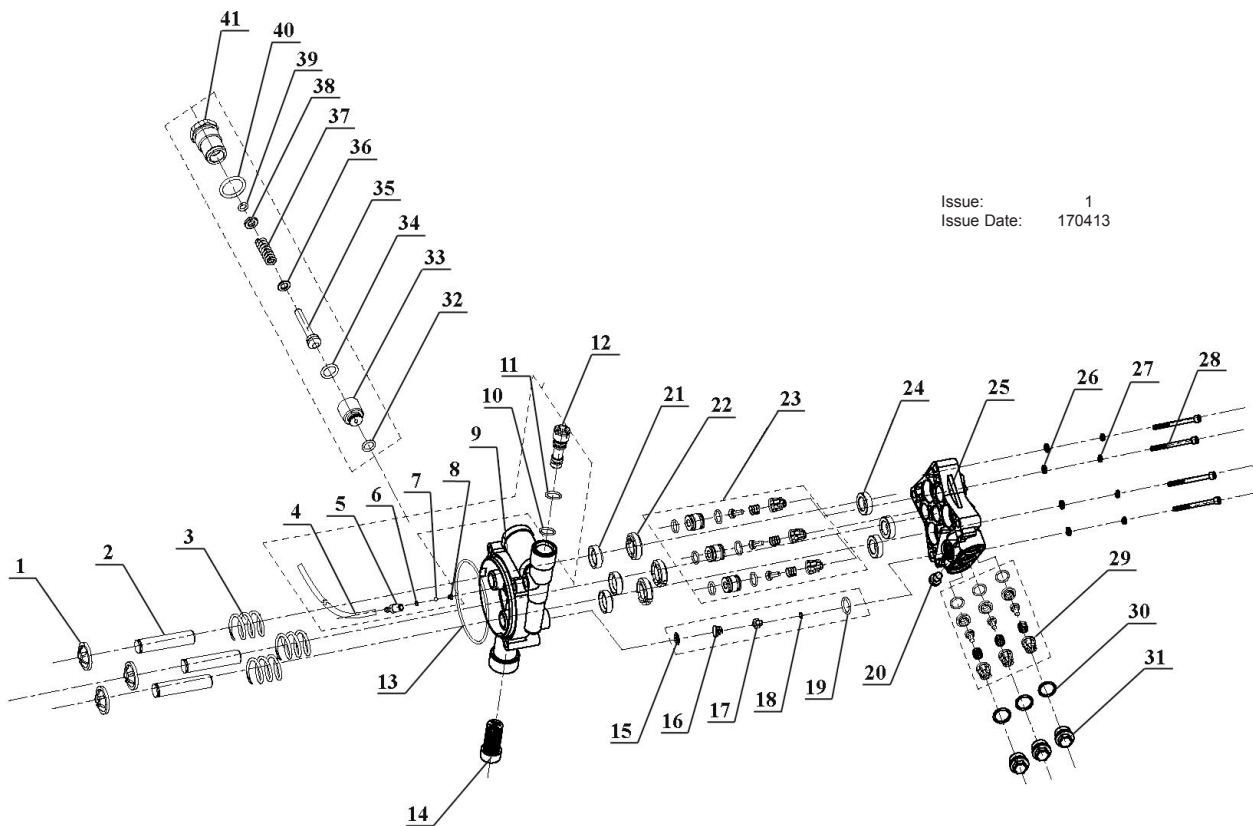
Issue: 1  
 Issue Date: 170413

ITEM	PART NO	DESCRIPTION	ITEM	PART NO	DESCRIPTION
1	PW2200.01	WATER INLET SCREW	42	PW2200.42	LANCE
2	PW2200.02	SWITCH KNOB	45	PW2200.45	WARNING LABEL
3	PW2200.03	SWITCH COVER	46	PW2200.46	RATING LABEL
4	PW2200.04	WATER INLET COVER	47	PW2200.47	POWER CABLE PROTECTOR
5	PW2200.05	FRONT HOUSING	48	PW2200.48	POWER CABLE GRIP
6	PW2200.06	SCREW (ST2.9x13)	49	PW2200.49	DETERGENT TUBE (INNER)
7	PW2200.07	WIRE SEAL	50	PW2200.50	SCREW (ST4.8x20)
8	PW2200.08	SCREW (ST4x14)	51	PW2200.51	PRESSURE GUN HOLDER
9	PW2200.09	SWITCH BOX, FRONT	53	PW2200.53	DETERGENT TUBE CONNECTION
10	PW2200.10	PRESSURE GUN HOLDER	54	PW2200.54	SCREW (ST4.8x25)
11	PW2200.11	SWITCH LEVER	55	PW2200.55	OUTLET TUBE
12	PW2200.12	SWITCH	56	PW2200.56	HANDLE
13	PW2200.13	SCREW (M5x18)	57	PW2200.57	DIRECTIONAL ADAPTOR
14	PW2200.14	PUMP BASE	58	PW2200.58	DIRECTIONAL ADAPTOR BASE
15	PW2200.15	WATER SHUTTER	59	PW2200.59	DIRECTIONAL ADAPTOR SEAL
16	PW2200.16	SWICH BOX, REAR	60	PW2200.60	DIRECTIONAL ADAPTOR KNOB
17	PW2200.17	CAPACITOR COVER	61	PW2200.61	DIRECTIONAL ADAPTOR PIPE
18	PW2200.18	CAPACITOR	62	PW2200.62	DETERGENT TANK CAP
19	PW2200.19	CAPACITOR PROTECTOR	63	PW2200.63	SPRAYER FILTER
20	PW2200.20	WHEEL TRIM, LEFT	64	PW2200.64	SPRAYER SPIGOT
21	PW2200.21	WHEEL TRIM, RIGHT	65	PW2200.65	DETERGENT TANK
22	PW2200.22	CONNECTION BASE	66	PW2200.66	DAMPING RING
23	PW2200.23	BACK HOUSING	67	PW2200.67	WASHER
24	PW2200.24	BEARING	68	PW2200.68	SPRING WASHER
25	PW2200.25	WASHER	69	PW2200.69	SCREW (M4x8)
26	PW2200.26	RETAINING RING	70	PW2200.70	PUMP/MOTOR CLIP
27	PW2200.27	WHEEL	71	PW2200.71	CAP FOR MOTOR
28	PW2200.28	WHEEL COVER	72	PW2200.72	WATER OULET SEAL
30	PW2200.30	O-RING (14x1.8)	73	PW2200.73	WATER OULET CONNECTOR
32	PW2200.32	PRESSURE GUN	74	PW2200.74	HOSE HOLDER
34	PW2200.34	HIGH PRESSURE HOSE	75	PW2200.75	SCREW (ST3x12)
35	PW2200.35	POWER CORD		PW2200.P	MOTOR/PUMP ASSEMBLY

**NOTE:** It is our policy to continually improve products and as such we reserve the right to alter data, specifications and component parts without prior notice.

**IMPORTANT:** No liability is accepted for incorrect use of product.

**WARRANTY:** Guarantee is 12 months from purchase date, proof of which will be required for any claim.



Issue: 1  
 Issue Date: 170413

ITEM	PART NO	DESCRIPTION
	<b>PW2200.KIT1</b>	<b>OUTFLOW VALVE KIT</b>
32	PW2200.P32	O-RING (9x1.8)
33	PW2200.P33	VALVE COVER
34	PW2200.P34	O-RING (12x2)
35	PW2200.P35	VALVE CORE
36	PW2200.P36	STOP RING
37	PW2200.P37	SPRING
38	PW2200.P38	WASHER
39	PW2200.P39	O-RING (5.6x1.8)
40	PW2200.P40	O-RING (19x2.65)
41	PW2200.P41	PLASTIC NUT
	<b>PW2200.KIT2</b>	<b>PISTON KIT</b>
1	PW2200.P01	SPRING BASE
2	PW2200.P02	PISTON
3	PW2200.P03	PISTON SPRING
4	PW2200.P04	WATER PIPE
5	PW2200.P05	WATER FILTER
6	PW2200.P06	O-RING (4x1.5)
7	PW2200.P07	STEEL BALL (5mm)
8	PW2200.P08	SPRING
9	PW2200.P09	CYLINDER BLOCK
10	PW2200.P10	O-RING (6.25x2.1)
11	PW2200.P11	O-RING (8.4x1.8)
12	PW2200.P12	VALVE
13	PW2200.P13	O-RING (70x2)
14	PW2200.P14	FILTER

ITEM	PART NO	DESCRIPTION
	<b>PW2200.KIT3</b>	<b>VALVE KIT</b>
15	PW2200.P15	SPRING SUPPORT
16	PW2200.P16	CORE SPRING
17	PW2200.P17	VALVE CORE
18	PW2200.P18	O-RING (2.7x1.9)
19	PW2200.P19	O-RING (9.5x2.5)
20	PW2200.P20	SCREW (M6x6)
21	PW2200.P21	OIL SEAL (21x12x20)
22	PW2200.P22	BACK-STOP BRACKET
	<b>PW2200.KIT4</b>	<b>WATER OUTLET VALVE KIT</b>
29	PW2200.P30	O-RING (14x1.8)
30	PW2200.P31	VALVE NUT
	<b>PW2200.KIT5</b>	<b>WATER INLET VALVE KIT</b>
23	PW2200.P24	Y-SEAL (24x12x20)
24	PW2200.P25	PUMP HEAD
25	PW2200.P26	WASHER (6mm)
26	PW2200.P27	WASHER (6mm)
27	PW2200.P28	SCREW (M6x70)

**NOTE:** It is our policy to continually improve products and as such we reserve the right to alter data, specifications and component parts without prior notice.

**IMPORTANT:** No liability is accepted for incorrect use of product.

**WARRANTY:** Guarantee is 12 months from purchase date, proof of which will be required for any claim.