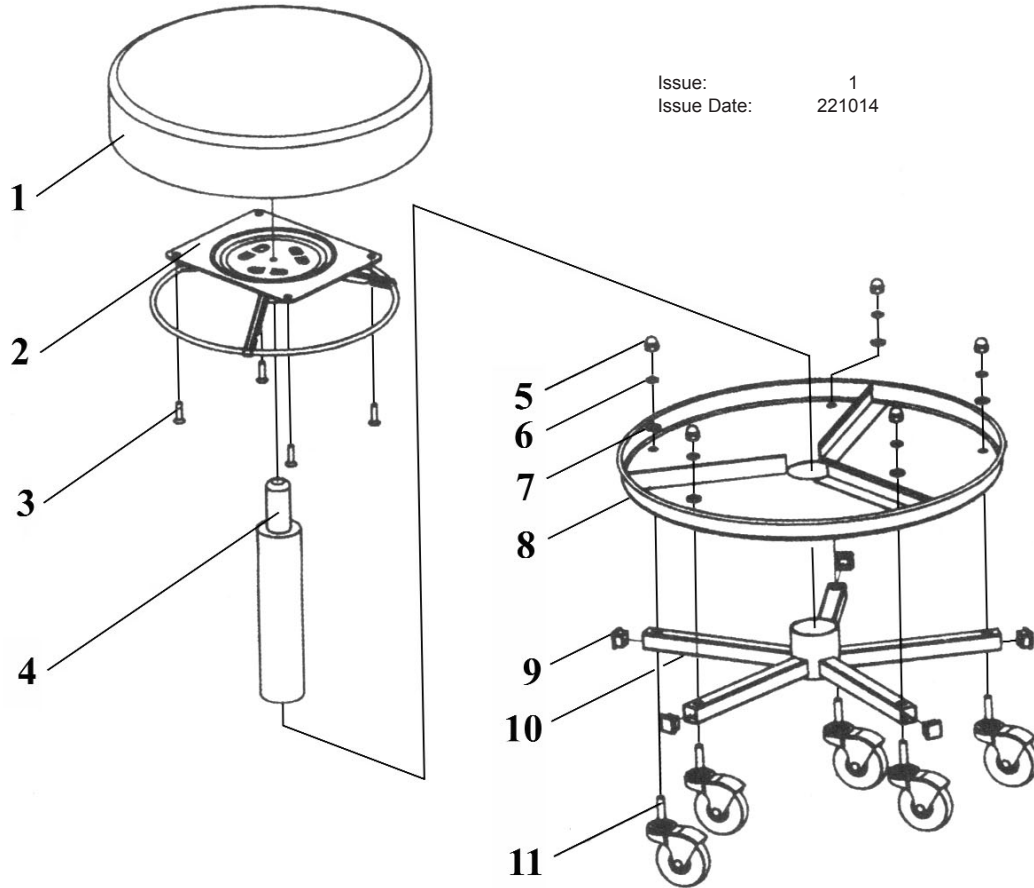




PARTS FOR:  
**GAS SPRUNG MECHANIC'S SEAT**  
MODEL: **SCR15**

Issue: 1  
Issue Date: 221014



ITEM	PART NO	DESCRIPTION
1	SCR15.01	SEAT
2	SCR15.02	OPERATING LEVEL
3	SCR15.03	SCREW (M6x20)
4	SCR15.04	PNEUMATIC CYLINDER
5	SCR15.05	NUT (M5)
6	SCR15.06	WASHER (8mm)
7	SCR15.07	FLAT WASHER (8mm)
8	SCR15.08	TOOL TRAY
9	SCR15.09	END CAP
10	SCR15.10	WHEEL BRACE
11	SCR15.11	SWIVEL WHEEL

