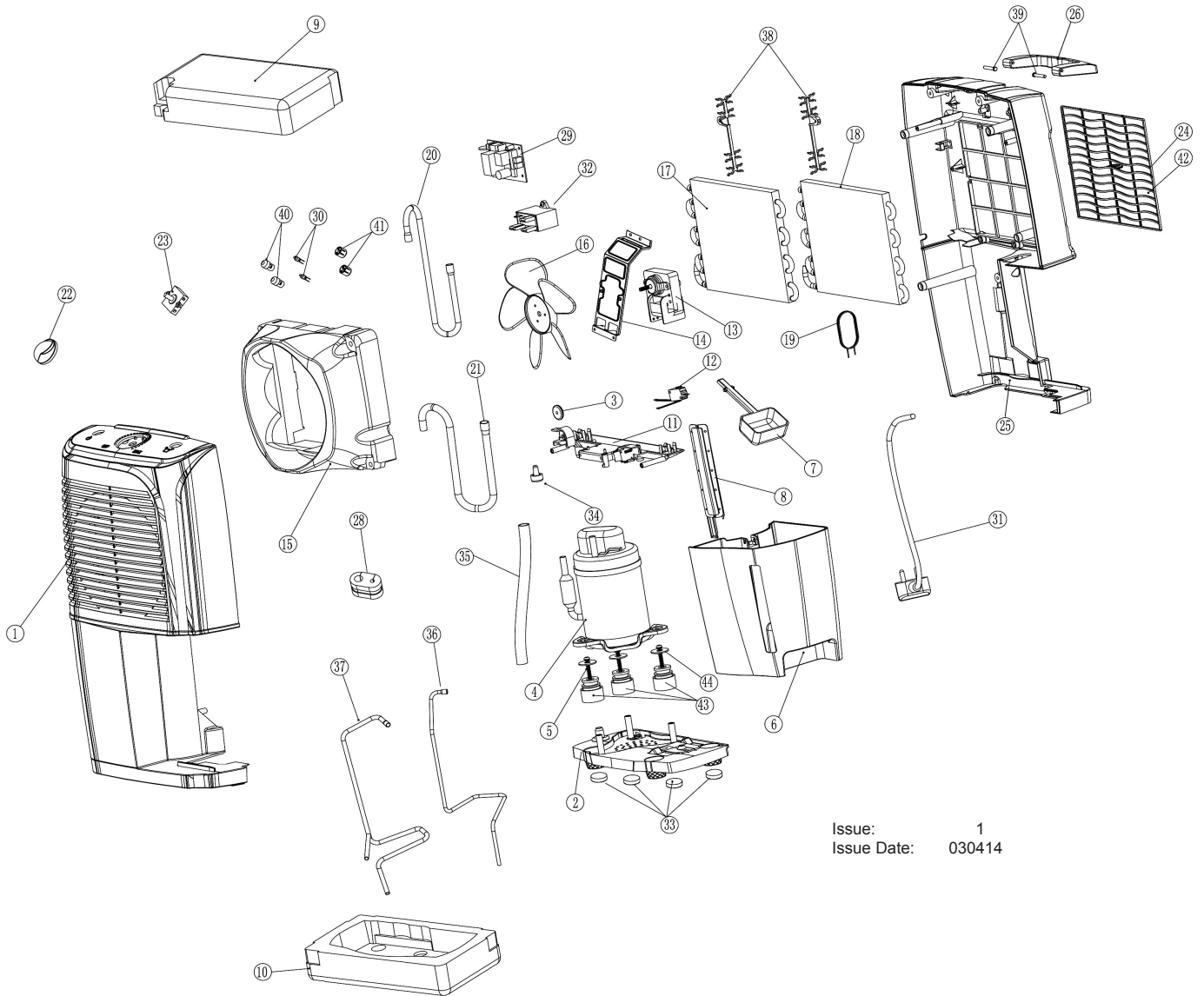




PARTS FOR:
DEHUMIDIFIER 10ltr
MODEL: SDH101



Issue: 1
 Issue Date: 030414

ITEM	PART NO	DESCRIPTION	ITEM	PART NO	DESCRIPTION	ITEM	PART NO	DESCRIPTION
1	SDH101.01	FRONT PANEL	16	SDH101.16	FAN BLADE	32	SDH101.32	CAPACITOR
2	SDH101.02	BASE	17	SDH101.17	CONDENSOR	33	SDH101.33	RUBBER FOOT
3	SDH101.03	WIRE CLIP	18	SDH101.18	EVAPORATOR	34	SDH101.34	WATER STOP
4	SDH101.04	COMPRESSOR	19	SDH101.19	CAPILLARY	35	SDH101.35	WATER PIPE
5	SDH101.05	SCREW	20	SDH101.20	DISCHARGE PIPE	36	SDH101.36	CONDENSOR PIPE
6	SDH101.06	WATER TANK 10ltr	21	SDH101.21	SUCTION PIPE	37	SDH101.37	EVAPORATOR PIPE
7	SDH101.07	FLOAT	22	SDH101.22	SWITCH KNOB	38	SDH101.38	PIPE CLIP
8	SDH101.08	WATER LEVEL SCREEN	23	SDH101.23	SWITCH	39	SDH101.39	BOLT FOR HANDLE
9	SDH101.09	UPPER SUPPORT	24	SDH101.24	FILTER	40	SDH101.40	LAMP COVER
10	SDH101.10	LOWER SUPPORT	25	SDH101.25	REAR PANEL	41	SDH101.41	LAMP SUPPORT
11	SDH101.11	WATER PLATE	26	SDH101.26	HANDLE	42	SDH101.42	FILTER COVER
12	SDH101.12	MICROSWITCH	28	SDH101.28	PIPE HOLDER	43	SDH101.43	RUBBER FOOT FOR COMPRESSOR
13	SDH101.13	MOTOR	29	SDH101.29	PCB	44	SDH101.44	WASHER
14	SDH101.14	MOTOR SUPPORT	30	SDH101.30	LAMP			
15	SDH101.15	BLOWER SUPPORT	31	SDH101.31	POWER CORD			

NOTE: It is our policy to continually improve products and as such we reserve the right to alter data, specifications and component parts without prior notice.

IMPORTANT: No liability is accepted for incorrect use of product.

WARRANTY: Guarantee is 12 months from purchase date, proof of which will be required for any claim.

