

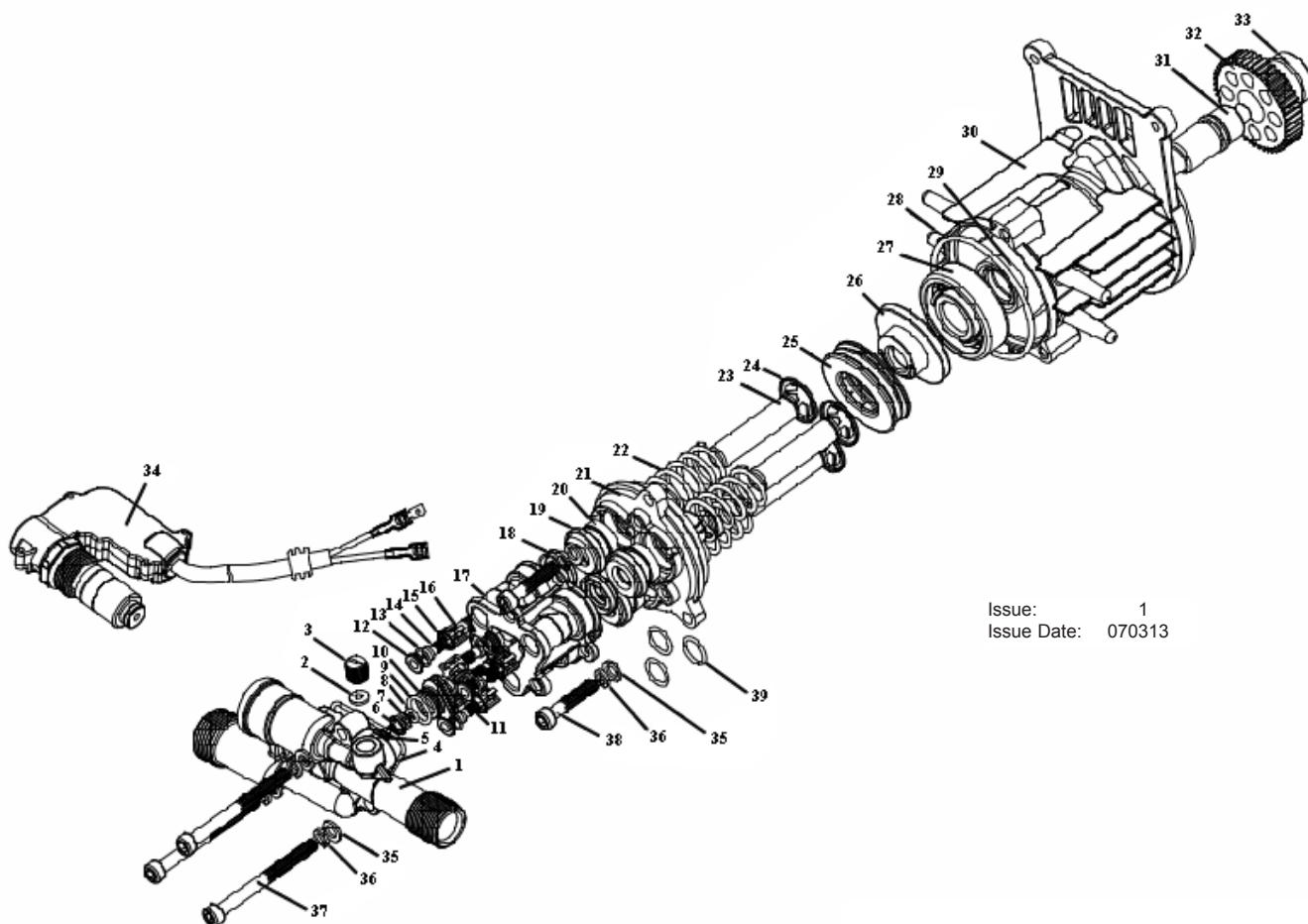
Issue: 1  
 Issue Date: 070313

| ITEM | PART NO   | DESCRIPTION             | ITEM | PART NO   | DESCRIPTION              | ITEM | PART NO   | DESCRIPTION                |
|------|-----------|-------------------------|------|-----------|--------------------------|------|-----------|----------------------------|
| 1    | PW1600.01 | LANCE FOR GUN           | 20   | PW1600.20 | POWER CORD COVER         | 38   | PW1600.38 | MOTOR SUPPORT RING         |
| 2    | PW1600.02 | PRESSURE GUN            | 21   | PW1600.21 | CUSHION                  | 39   | PW1600.39 | WATER INLET FILTER (SMALL) |
| 3    | PW1600.03 | HIGH PRESSURE HOSE      | 22   | PW1600.22 | MOTOR COVER              | 40   | PW1600.40 | WATER INLET SEAL PAD       |
| 5    | PW1600.05 | SIDE HOOK               | 23   | PW1600.23 | MOTOR ASS'Y              | 41   | PW1600.41 | WATER INLET NUT            |
| 6    | PW1600.06 | FRONT LABEL             | 24   | PW1600.24 | HEX SCREW                | 42   | PW1600.42 | O-RING                     |
| 7    | PW1600.07 | FRONT COVER SIDE        | 25   | PW1600.25 | WASHER                   | 43   | PW1600.43 | BACK COVER                 |
| 8    | PW1600.08 | FRONT COVER             | 26   | PW1600.26 | SWITCH COVER             | 44   | PW1600.44 | SELF TAPPING SCREW         |
| 9    | PW1600.09 | LEFT GUIDE PLATE        | 27   | PW1600.27 | SEALING RING             | 45   | PW1600.45 | SUPPORT FRAME (RIGHT)      |
| 10   | PW1600.10 | RIGHT GUIDE PLATE       | 28   | PW1600.28 | WATER OUTLET COVER       | 46   | PW1600.46 | SUPPORT FRAME (LEFT)       |
| 11   | PW1600.11 | MAIN SWITCH             | 29   | PW1600.29 | PUMP ASS'Y               | 47   | PW1600.47 | SELF-TAPPING SCREW         |
| 12   | PW1600.12 | CONNECTION BOX COVER    | 30   | PW1600.30 | BRACKET FOR GUN (UPPER)  | 48   | PW1600.48 | NEEDLE PROBE               |
| 13   | PW1600.13 | SEALING RING            | 31   | PW1600.31 | BRACKET FOR GUN (LOWER)  | 49   | PW1600.49 | DETERGENT BOTTLE           |
| 14   | PW1600.14 | CAPACITOR               | 32   | PW1600.32 | MICROSWITCH SEALING RING | 50   | PW1600.50 | WATER INLET HOSE           |
| 15   | PW1600.15 | CONNECTION BOX SEAL (A) | 33   | PW1600.33 | DEFLECTOR PLATE (UPPER)  | 51   | PW1600.51 | QUICK CONNECTOR            |
| 16   | PW1600.16 | CONNECTION BOX SEAL (B) | 34   | PW1600.34 | DEFLECTOR PLATE (LOWER)  | 52   | PW1600.52 | QUICK CONNECTOR            |
| 17   | PW1600.17 | CONNECTION BOX SEAL (C) | 35   | PW1600.35 | SELF-TAPPING SCREW       |      |           |                            |
| 18   | PW1600.18 | CONNECTION BOX, BOTTOM  | 36   | PW1600.36 | POWER CORD               |      |           |                            |
| 19   | PW1600.19 | SELF TAPPING SCREW      | 37   | PW1600.37 | POWER CORD GRIP          |      |           |                            |

**NOTE:** It is our policy to continually improve products and as such we reserve the right to alter data, specifications and component parts without prior notice.

**IMPORTANT:** No liability is accepted for incorrect use of product.

**WARRANTY:** Guarantee is 12 months from purchase date, proof of which will be required for any claim.



Issue: 1  
 Issue Date: 070313

| ITEM | PART NO    | DESCRIPTION                | ITEM | PART NO    | DESCRIPTION          |
|------|------------|----------------------------|------|------------|----------------------|
| 1    | PW1600.P01 | PUMP COVER                 | 21   | PW1600.P21 | BASE, PUMP BODY      |
| 2    | PW1600.P02 | CONNECTION HEAD SEAL       | 22   | PW1600.P22 | SPRING, PLUNGER      |
| 3    | PW1600.P03 | PLUG, ONE-WAY VALVE        | 23   | PW1600.P23 | PLUNGER              |
| 4    | PW1600.P04 | SEAL                       | 24   | PW1600.P24 | SPRING BASE, PLUNGER |
| 5    | PW1600.P05 | SPRING BASE, ONE-WAY VALVE | 25   | PW1600.P25 | SPRING (51205A)      |
| 6    | PW1600.P06 | SPRING, ONE-WAY VALVE      | 26   | PW1600.P26 | WOBBLE PLATE         |
| 7    | PW1600.P07 | PIN, ONE-WAY VALVE         | 27   | PW1600.P27 | BEARING (6303)       |
| 8    | PW1600.P08 | O-RING (3.15x2.05)         | 28   | PW1600.P28 | O-RING (61x2.3)      |
| 9    | PW1600.P09 | O-RING (11.5x1.8)          | 29   | PW1600.P29 | OIL BLOCK, SHAFT     |
| 10   | PW1600.P10 | BASE, ONE-WAY VALVE        | 30   | PW1600.P30 | CRANKCASE            |
| 11   | PW1600.P11 | O-RING (15x1.8)            | 31   | PW1600.P31 | GEAR SHAFT           |
| 12   | PW1600.P12 | BASE, ONE-WAY VALVE        | 32   | PW1600.P32 | GEAR (50T)           |
| 13   | PW1600.P13 | O-RING (8x1)               | 33   | PW1600.P33 | BEARING (629ZZ)      |
| 14   | PW1600.P14 | PIN, ONE-WAY VALVE         | 34   | PW1600.P34 | TSS ASS'Y            |
| 15   | PW1600.P15 | SPRING, ONE-WAY VALVE      | 35   | PW1600.P35 | WASHER               |
| 16   | PW1600.P16 | FRAME, ONE-WAY VALVE       | 36   | PW1600.P36 | SPRING WASHER        |
| 17   | PW1600.P17 | PUMP BODY                  | 37   | PW1600.P37 | HEX BOLT (M6x65)     |
| 18   | PW1600.P18 | WATER SEAL                 | 38   | PW1600.P38 | HEX BOLT (M6x35)     |
| 19   | PW1600.P19 | SUPPORT, PLUNGER           | 39   | PW1600.P39 | O-RING (19.3x1.5)    |
| 20   | PW1600.P20 | OIL BLOCK, PLUNGER         |      |            |                      |

**NOTE:** It is our policy to continually improve products and as such we reserve the right to alter data, specifications and component parts without prior notice.

**IMPORTANT:** No liability is accepted for incorrect use of product.

**WARRANTY:** Guarantee is 12 months from purchase date, proof of which will be required for any claim.