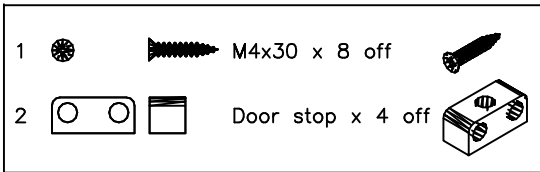


SERIES 90 CUPBOARD
WITH LOCKABLE DOORS
ASSEMBLY INSTRUCTIONS

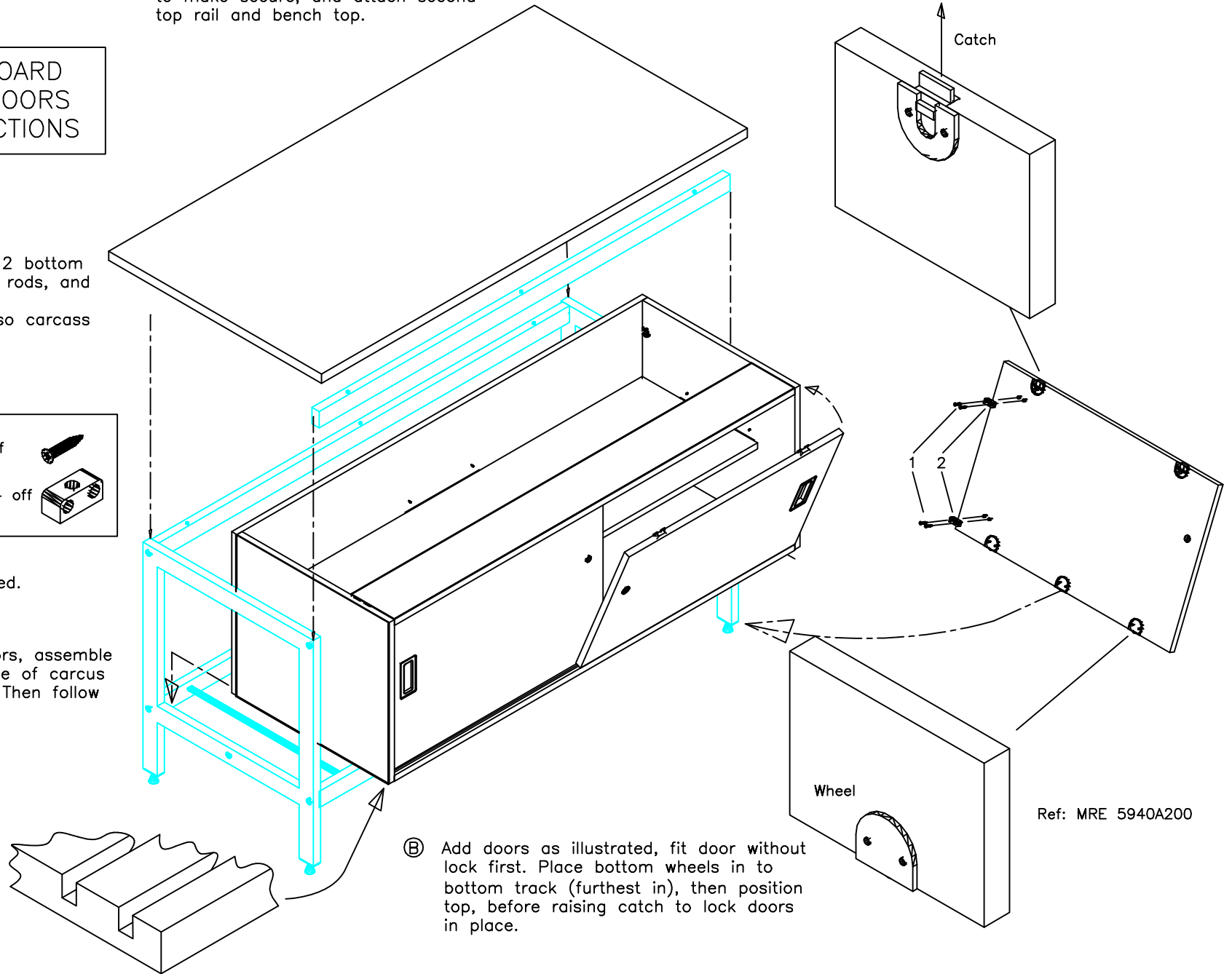
© Once carcass is in place tighten bolts to make secure, and attach second top rail and bench top.

Ⓐ Assemble open frame with 2 bottom rails, one top rail, support rods, and no support brackets. Do not fully tighten bolts so carcass can fit between legs.



Door Stop
Fit door stops to with lock fitted.

NOTE
For Cupboard with lockable doors, assemble as open cupboard, but flip base of carcass to have channels on top side. Then follow steps A-C.



Ⓑ Add doors as illustrated, fit door without lock first. Place bottom wheels in to bottom track (furthest in), then position top, before raising catch to lock doors in place.

Wheel

Ref: MRE 5940A200