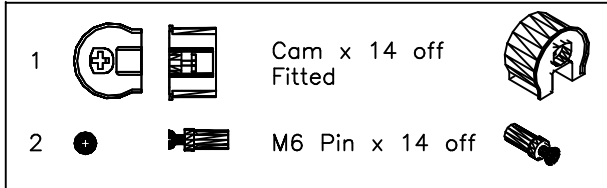
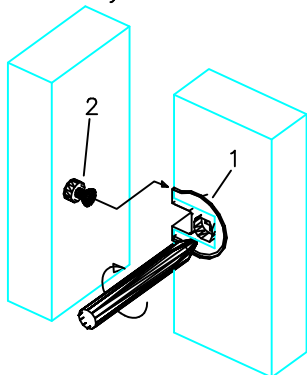


SERIES 90 OPEN CUPBOARD ASSEMBLY INSTRUCTIONS

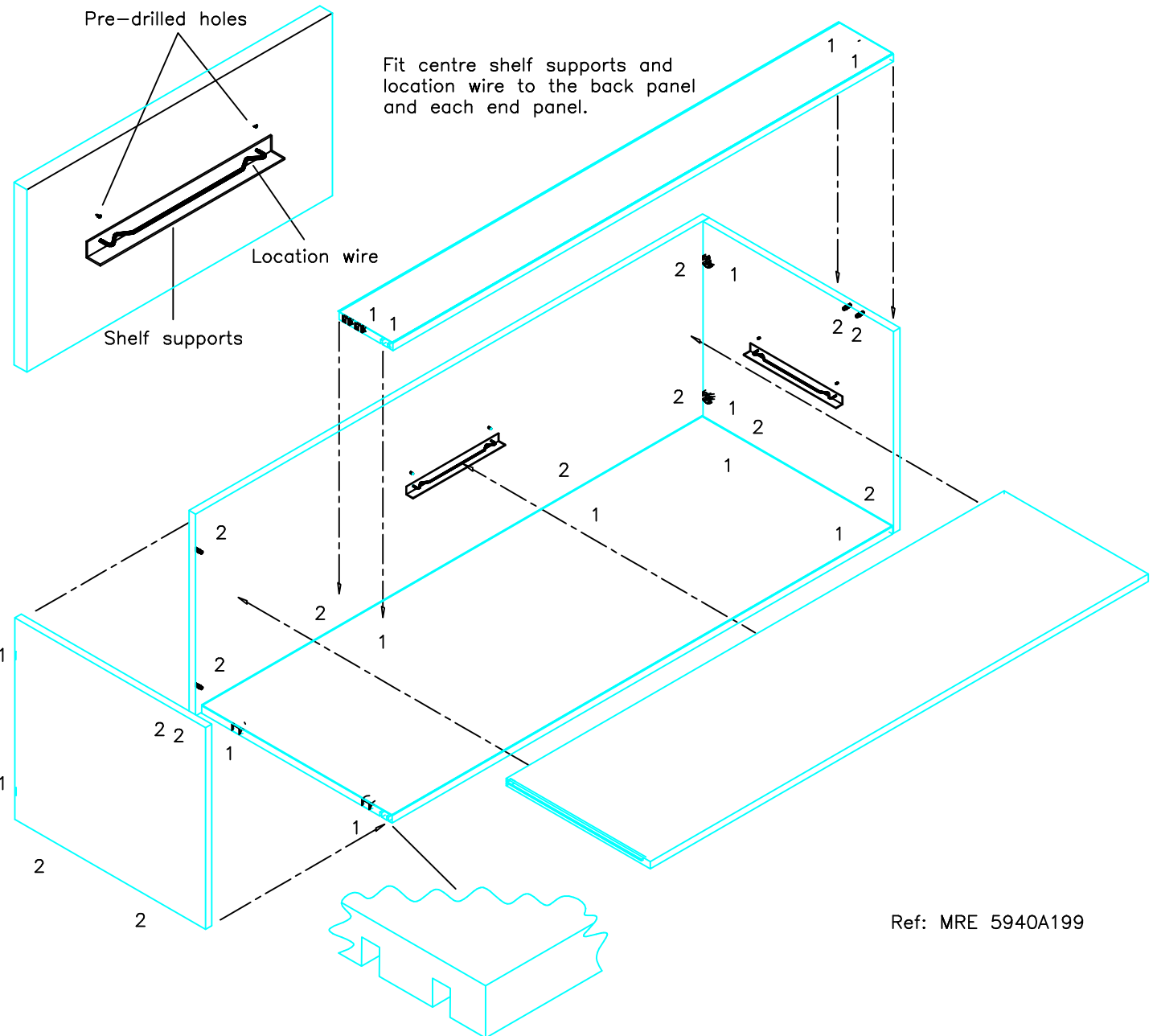
To assemble carcass of open cupboard use pin and cam joint to attach all the panels together.



Assembly of Cam and Pin.



Screw Pin (2) in to pre-drilled hole on opposite piece to cam (1).
Line up pin over cam then slide it in.
Once pin is in cam turn a Phillips screwdriver to lock the pin in place.



NOTE—
Open cupboard— Channels on underside.
Cupboards— Channels on top side.
To attach to frame see lockable cupboard instructions on MRE 5940A200