

Thank you for purchasing a Sealey product. Manufactured to a high standard this product will, if used according to these instructions and properly maintained, give you years of trouble free performance.

IMPORTANT: PLEASE READ THESE INSTRUCTIONS CAREFULLY. NOTE THE SAFE OPERATIONAL REQUIREMENTS, WARNINGS & CAUTIONS. USE THE PRODUCT CORRECTLY AND WITH CARE FOR THE PURPOSE FOR WHICH IT IS INTENDED. FAILURE TO DO SO MAY CAUSE DAMAGE OR PERSONAL INJURY, AND WILL INVALIDATE THE WARRANTY. PLEASE KEEP INSTRUCTIONS SAFE FOR FUTURE USE.

1. SAFETY INSTRUCTIONS

1.1 GENERAL SAFETY

- **WARNING!** Ensure Health & Safety, local authority, and general workshop practice regulations are adhered to when using this trolley.
 - **WARNING!** be careful to ensure that when closing the sliding top you do not catch any part of your body between the runners.
 - ✓ Always load evenly with the centre of gravity of the load as near centre of the trolley as possible.
 - ✓ Keep the work area clean, uncluttered and ensure there is adequate lighting.
 - ✓ Keep the trolley clean and tidy in accordance with good workshop practice.
 - ✓ Use the wheel locks to prevent the trolley from inadvertently moving.
 - ✓ Keep children and unauthorised persons away from the work area.
 - x **DO NOT overload the trolley.** Max Capacity 100kg
 - x **DO NOT** use the trolley for any purpose other than that for which it is designed.
 - x **DO NOT** stand on the trolley, use it as a ladder or allow others to ride on the trolley.
 - x **DO NOT** leave unattended, especially when loaded, unless the wheels are locked, chocked or the trolley is otherwise secured.
 - x **DO NOT** use trolley on uneven ground and do not run over curbs or steps - use a ramp.
 - x **DO NOT** use trolley if any part is significantly damaged, paying particular attention to the wheels.
- Note! Do not force side drawers open, they will open only when the sliding top is open.**
Note! The assembly will require assistance.

2. INTRODUCTION & SPECIFICATION

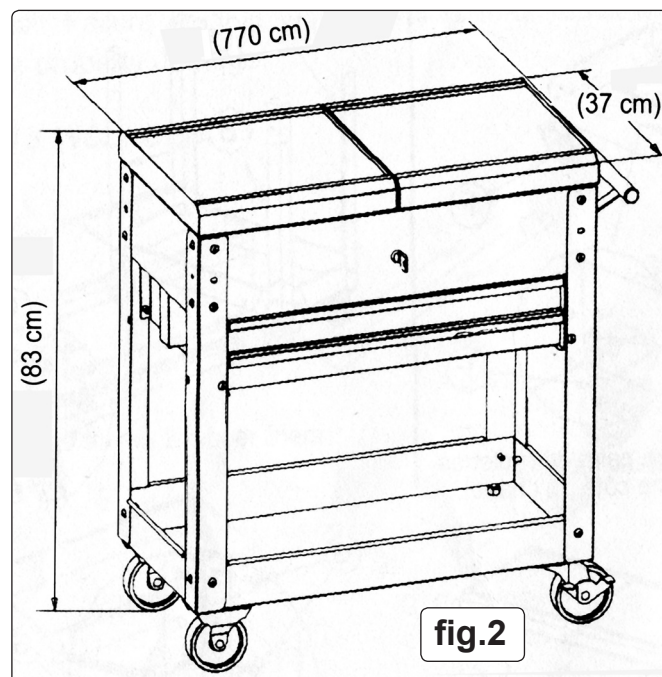
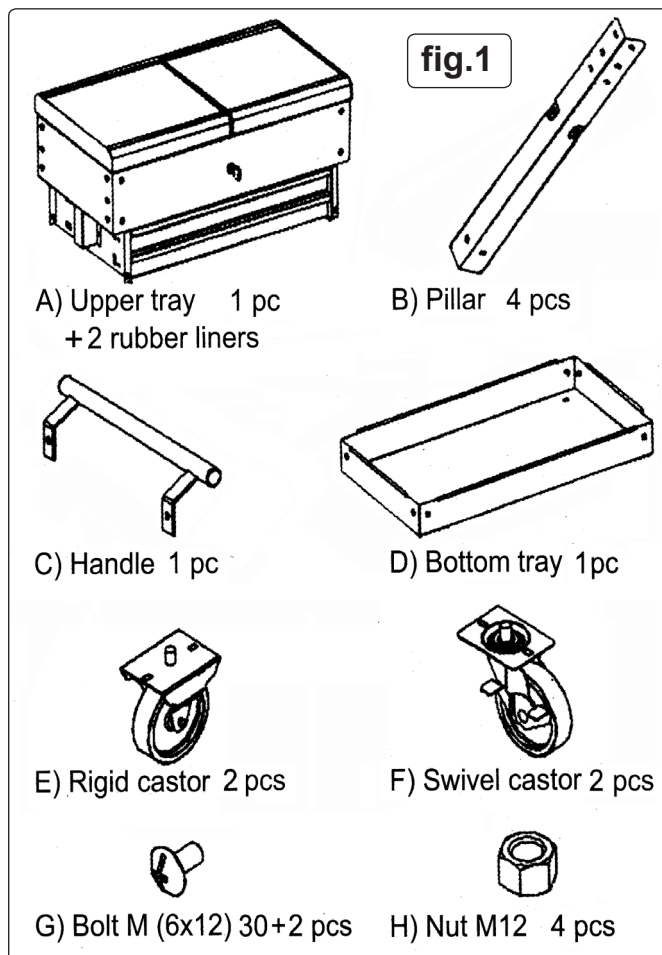
Heavy gauge steel construction with lockable sliding top on smooth ball bearing runners. Twin drawers with 35mm ball bearing slides, which are locked when top is closed. Two fixed wheels and two locking castors. Suitable for tools and parts. Some self-assembly required.

Size (H x W x L) 830 x 370 x 770mm
 Total load capacity 100kg

3. CONTENTS

3.1 Carefully unpack the product and check the contents.

| ITEM | QUANTITY |
|----------------------------------|----------|
| A) Upper tray with 2 rubber mats | 1 |
| B) Legs | 4 |
| C) Handle | 1 |
| D) Bottom tray | 1 |
| E) Rigid wheel | 2 |
| F) Swivel, locking castor | 2 |
| G) Bolt M6 x 12 | 32 |
| H) Nut M12 | 4 |



4. ASSEMBLY

- 4.1 Remove trolley from the box and unlock the trolley with the keys attached. Slide the top of the main storage area open and remove all parts, check contents against contents list, if any parts are missing contact your local Sealey dealer immediately. Close the top storage area and lock the trolley before assembly.
- 4.2 Each wheel is mounted to a reinforcing plate on the underside of each corner of the tray. The reinforcing plates have a raised area at one end which fits into a square hole on the mounting plate of each wheel. Bolt the two fixed wheels (E) to one end of the bottom tray (D) using two M12 nuts (H) as shown in fig.3. Bolt the two castors (F) to the other end of the tray using two M12 nuts (H).

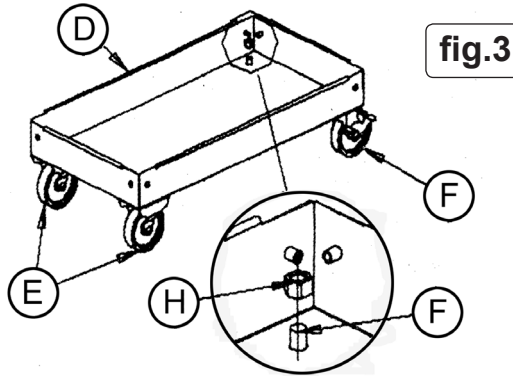
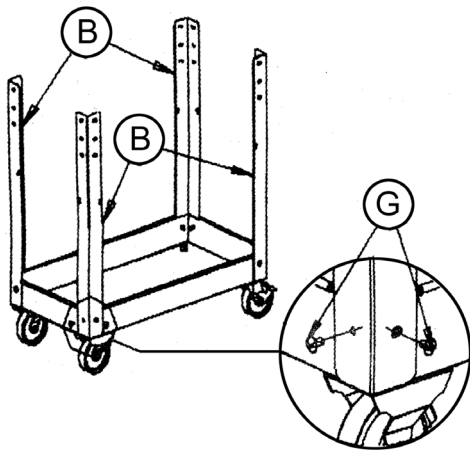


fig.3



- 4.3 Attach the four upright pillars (B) to the bottom tray (D) using two bolts (G) for each pillar as shown above. Ensure the pillars are the right way up with two holes at the bottom and six holes at the top. The bolts screw directly into threaded inserts attached to the tray.
- 4.4 With the help of another person, position the upper tray unit within the top of the four pillars and fix it by screwing four bolts into the threaded inserts at each end of the trolley as shown in fig.4. Do not use the bolt position second from the top. Further secure the unit by inserting a further six bolts on the front and back of the unit. The lowest bolt positions are adjacent to the bottom draw.

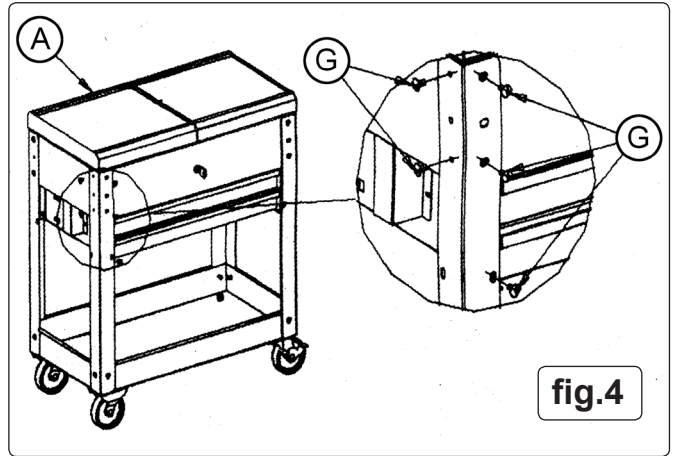


fig.4

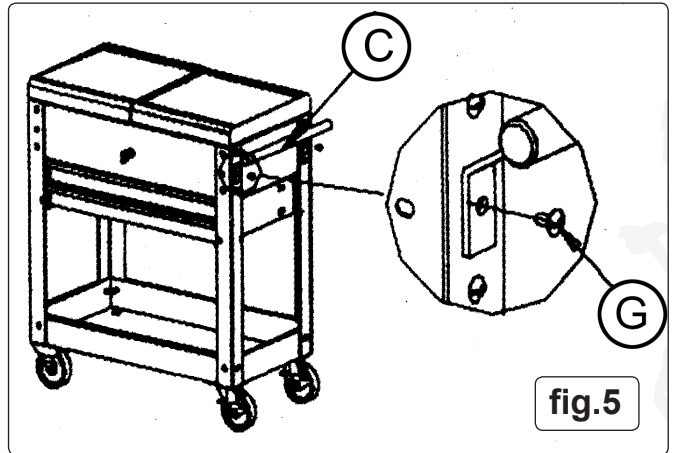


fig.5

- 4.5 Referring to fig.5, fix the handle (C) to the same end of the trolley as the castors using two bolts (G). Use the second from the top bolt position.
- 4.6 Insert two more bolts at the bolt position second from the top at the other end of the trolley as shown in fig.6.

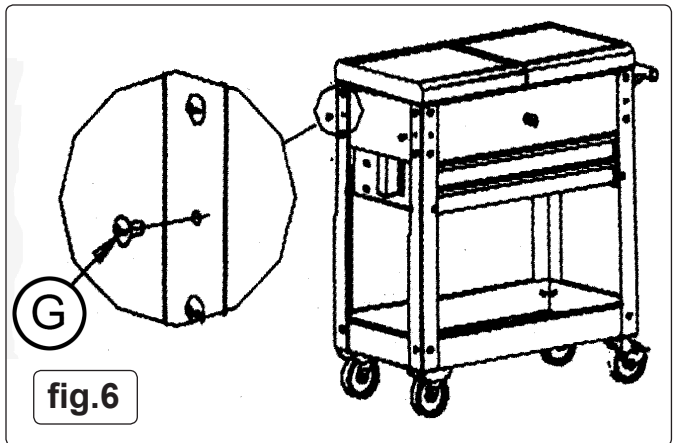


fig.6

Parts support is available for this product. To obtain a parts listing and/or diagram, please log on to www.sealey.co.uk, email sales@sealey.co.uk or phone 01284 757500.

NOTE: It is our policy to continually improve products and as such we reserve the right to alter data, specifications and component parts without prior notice.

IMPORTANT: No liability is accepted for incorrect use of this product.

WARRANTY: Guarantee is 12 months from purchase date, proof of which will be required for any claim.

INFORMATION: For a copy of our latest catalogue and promotions call us on 01284 757525 and leave your full name and address, including postcode.

SEALEY POWER PRODUCTS