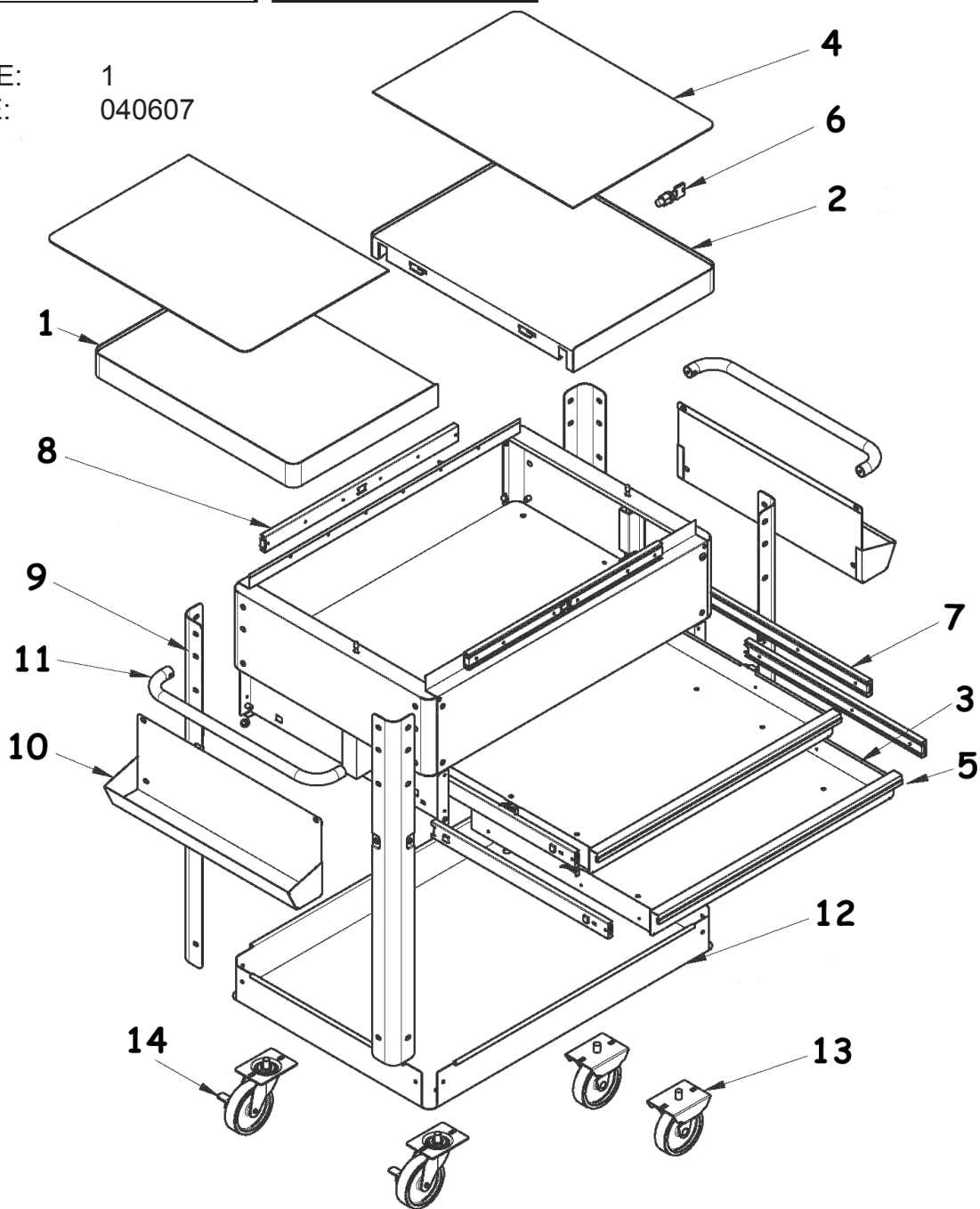




SPARE PARTS LIST FOR:  
MOBILE TOOL & PARTS TROLLEY  
MODEL: AP920M

ISSUE: 1  
DATE: 040607



ITEM	PART NO	DESCRIPTION	ITEM	PART NO	DESCRIPTION
1	AP920M.A01	UPPER SLIDING TRAY (L/ H SIDE)	9	AP920M.B	TROLLEY LEG
2	AP920M.A02	UPPER SLIDING TRAY (R/ H SIDE)	10	AP920M.C	SIDE BIN
3	AP920M.A03	DRAWER c/w BALL BEARING	11	AP920M.D	HANDLE c/w SCREWS
4	AP920M.A04	RUBBER MAT	12	AP920M.E	BOTTOM TRAY
5	AP920M.A05	ALUMINIUM TRIM,L=630mm	13	AP920M.F	CASTER WHEEL c/w NUT
6	AP920M.A06	DRAWER LOCK c/w KEY	14	AP920M.G	SWIVEL WHEEL c/w NUT
7	AP920M.A07	BALL BEARING SLIDER, 18"	15	AP920M.H	FITTING KIT (NOT SHOWN)
8	AP920M.A08	BALL BEARING SLIDER, 20"			

**NOTE:** It is our policy to continually improve products and as such we reserve the right to alter data, specifications and component parts without prior notice.

**IMPORTANT:** No liability is accepted for incorrect use of product.

**WARRANTY:** Guarantee is 12 months from purchase date, proof of which will be required for any claim.

**INFORMATION:** For a copy of our latest catalogue and promotions call us on 01284 757525 and leave your full name and address, including postcode.

