

Fig. 1

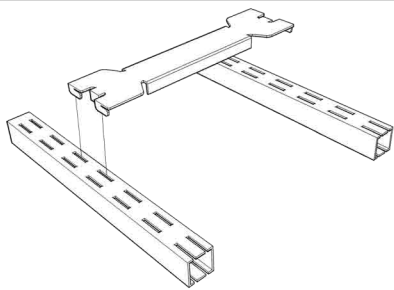


Fig. 2

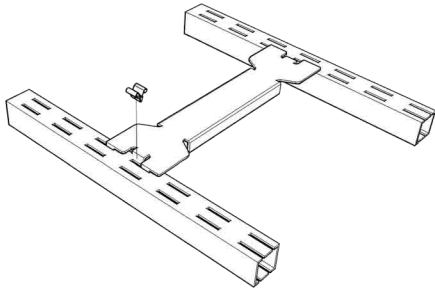
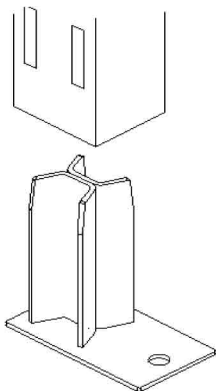


Fig. 3



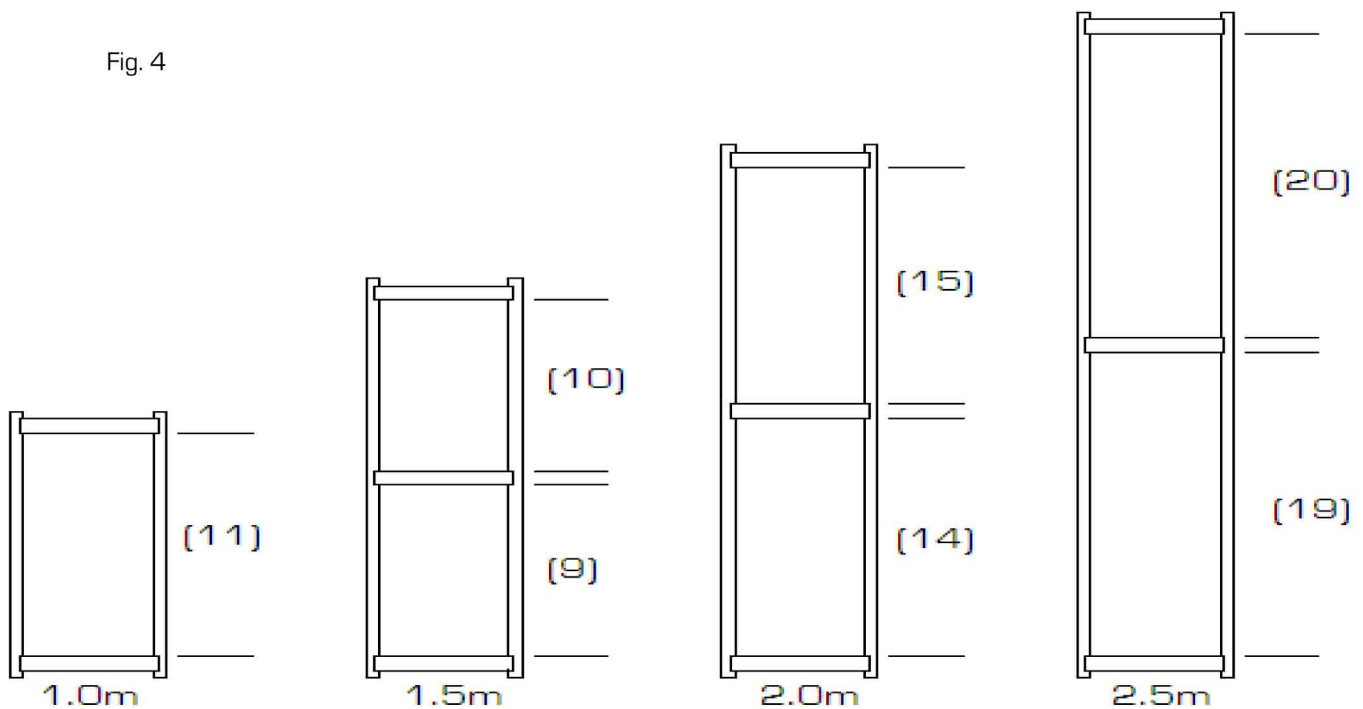
Operation Sequence 1

For speed and personal comfort, TOPRAX® frames are best assembled on a low bench or trestle.

1. Set out uprights to suit required frame, i.e.
2 per single entry frame
2. Fit top and bottom frame ties (fig. 1), locating connecting lugs into 3rd and 4th slots at each end of the upright. Driving the lugs to the bottom of slots using a soft faced mallet.
3. Insert Spring Locking Clips (fig. 2), to prevent accidental movement of frames. Note, 2 clips to be inserted per frame tie.
4. Turn frame over so that the top and bottom frame ties are facing downwards. Fit central frame tie (as detailed in fig. 4)

Fig. 3 shows the footplate with the drilled hole directing outwards, to enable ease of floor fixing.

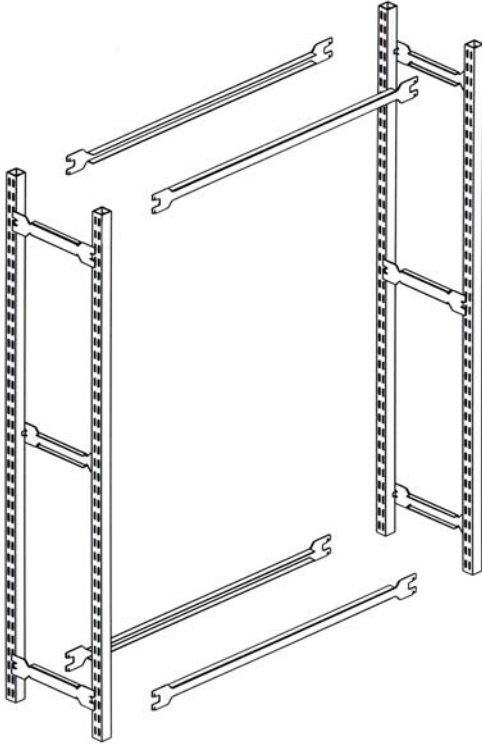
Fig. 4



Frame tie location.

Fig. 4 above, shows the location points for the frame ties, using the amount of slots in between ties as a guide, i.e. on a 2m high frame, the central frame tie is located with a clear 14 slot height from the bottom frame tie, and a clear 15 slot height from the top frame tie.

Fig. 5



Operation Sequence 2

1. Stand assembled end-frame in vertical position (fig. 5)
2. Fit top and bottom frame beams, locating in outer slot positions on front posts (1st and 2nd from each end of the upright), and inner slot positions on rear posts. Drive home into slots using a soft faced mallet.
3. Fit Spring Clips (fig. 6) to secure.

Fig. 6

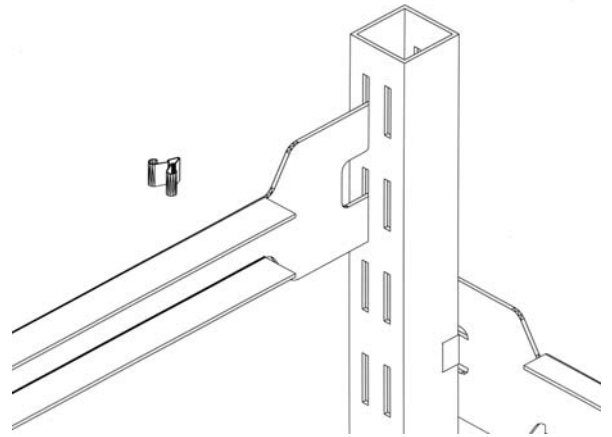
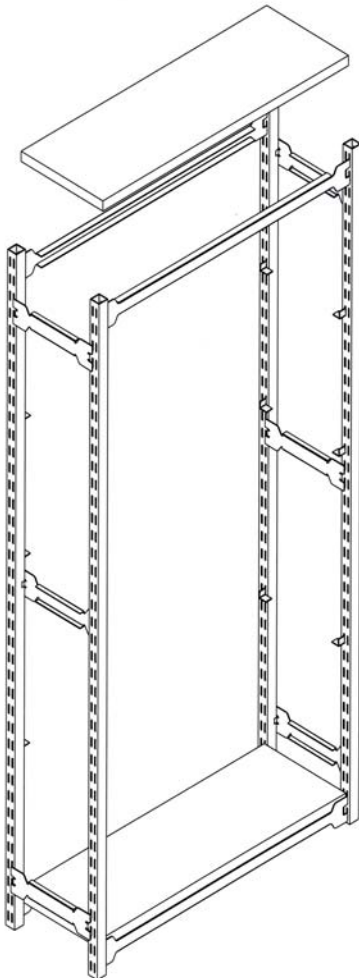


Fig. 7



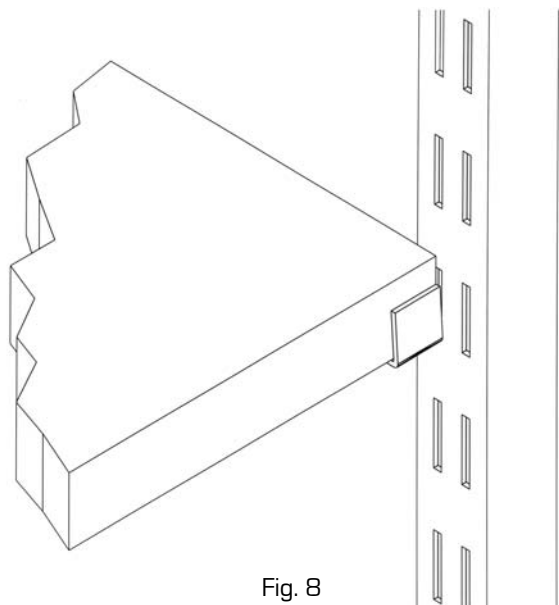
Operation Sequence 3

To fit intermediate shelves:

1. Fit top and bottom shelves (fig. 7), locating on flanges of frame beams for support.
2. Fit shelf clips (fig. 8), four per shelf, into inner slots of posts at required centres. Locate shelf on clips ensuring that it is correctly seated on clip support flange.

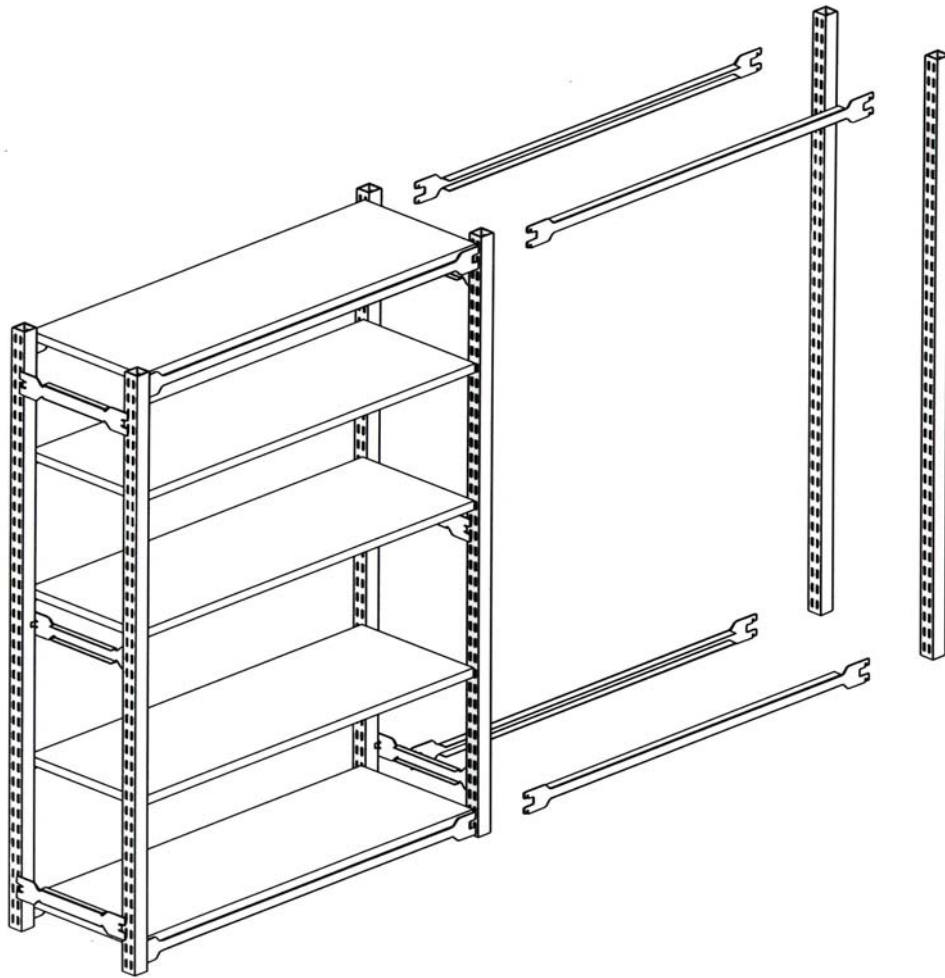
The unit is now completed, ready for use or addition of extra bay.

Fig. 8



Additional Bays

Fig. 9



For the addition of extra bays:

Follow instructions from “**Operation Sequence 1**” only with two uprights as opposed to four (fig. 9). Then follow necessary instructions for shelf beams, shelf clips and shelves as per “**Operation Sequence 2 & 3**”.

For safety reasons, always remember to use spring clips when assembling frame ties and shelf beams, so as to ensure safe conditions for general use.

Floor Fixing

Please note that the assembled unit would need to be floor-fixed if the Height to Depth Ratio (HDR) of the frame is greater than 4:1.

e.g. 1 - Where the frame is 2000mm high x 300mm deep,

$$\frac{2000}{300}$$

HDR = 6.6666
Therefore, this would require floor fixing.

e.g. 2 - Where the frame is 2000mm high x 600mm deep,

$$\frac{2000}{600}$$

HDR = 3.3333
Therefore, this frame can be free-standing, i.e. does not require floor fixing.

Toprax ® Assembly Instructions

