

Thank you for purchasing a Sealey product. Manufactured to a high standard this product will, if used according to these instructions and properly maintained, give you years of trouble free performance.

**IMPORTANT: PLEASE READ THESE INSTRUCTIONS CAREFULLY. NOTE THE SAFE OPERATIONAL REQUIREMENTS, WARNINGS AND CAUTIONS. USE THIS PRODUCT CORRECTLY AND WITH CARE FOR THE PURPOSE FOR WHICH IT IS INTENDED. FAILURE TO DO SO MAY CAUSE DAMAGE AND/OR PERSONAL INJURY, AND WILL INVALIDATE THE WARRANTY. PLEASE KEEP INSTRUCTIONS SAFE FOR FUTURE USE.**

### 1. SAFETY INSTRUCTIONS

- 7 DO NOT use the cycle carrier if any parts are missing or damaged as this may cause failure or possible personal injury.
- p **WARNING!** Due to the variety in design of vehicles & cycles, it is the users full responsibility to ensure no damage occurs whilst using this cycle carrier. Correct attachment of carrier to a vehicle is therefore critical and is beyond control of the manufacturer, distributor, or supplier.
- p **WARNING!** The user must secure the carrier and any cycles to be carried properly, checking the security frequently when in use.
- 3 Use strong, good quality tie restraints for securing cycles to the carrier. DO NOT use string, or elasticated straps.
- p **WARNING!** The locking mechanism is spring loaded, operate with care.
- 3 If your vehicle lights and/or number plate are obscured by your bikes, you are required **BY LAW** to replicate them with an auxiliary lighting kit.
- 3 Avoid damage caused by hot exhaust fumes do not position cycles directly next to the vehicles exhaust, especially the bicycle tyres. If necessary fit an exhaust deflector.
- 3 Ensure that bicycles do not come into contact with the vehicle bodywork and provide protection as required.
- r **WARNING!** Remove any loose objects from the bikes i.e pumps, bottles etc.
- r **WARNING!** Avoid any protrusions beyond the side of the car as these may present a risk of injury to passers-by.
- 7 **DO NOT** use the cycle carrier for any purpose other than for which it is designed.
- 8 **DO NOT** strap any other items to the carrier, only bicycles.
- r **WARNING!** Drive carefully - Be aware of cross winds, sudden braking or hard cornering, reduce speed accordingly when using carrier.
- r **WARNING!** This carrier is designed for temporary use only, remove when not in use or before going through a car wash.
- 3 Every time before use check the carrier for security of fittings or any sign of wear and tear. Replace any worn or damaged parts.
- r **WARNING! Remember the driver of the vehicle is responsible for the security and safety of the load carried.**

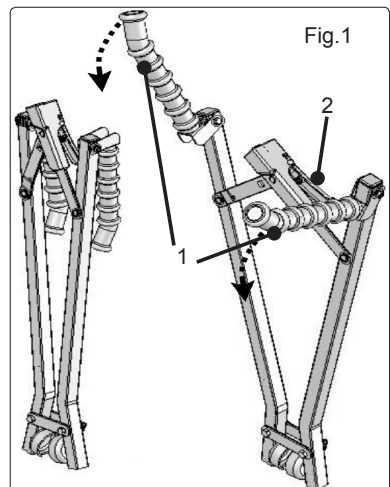
### 2. INTRODUCTION

Strong tubular construction. Mounts firmly onto any Ø50mm tow-ball in seconds and will carry 2 cycles. Positive lock action includes a provision for anti-theft lock (not included). Folds down flat for storage.

- r **WARNING!** Max 2 x bicycles, it is dangerous to overload the carrier.

### 3. FITTING INSTRUCTIONS

- 3.1 Unfold cycle support arms (Fig.1.1).
- 3.2 Position the cycle carrier on the Ø50mm tow ball as illustrated. (Fig.3 & 4)
- 3.4 Press down on the central locking bar until the latch (Fig.1.2) clicks into the locked position.
- 3.5 Check that the carrier is securely clamped onto the tow ball (Fig.4).
- 3.6 Insert the locking pin into the central locking bar to prevent the carrier inadvertently opening



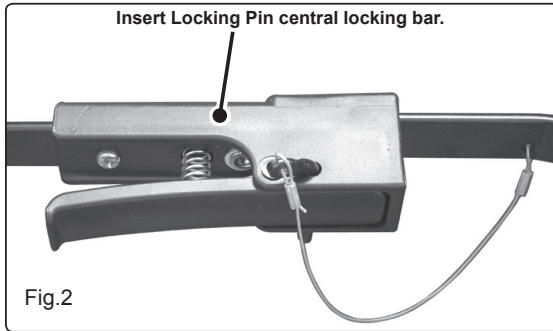


Fig.2

- 3.7 To remove the carrier, remove the safety locking pin and squeeze the lever on the central locking bar while pulling the locking bar upwards. The locking bar will now fold upwards releasing the carrier from the tow ball.

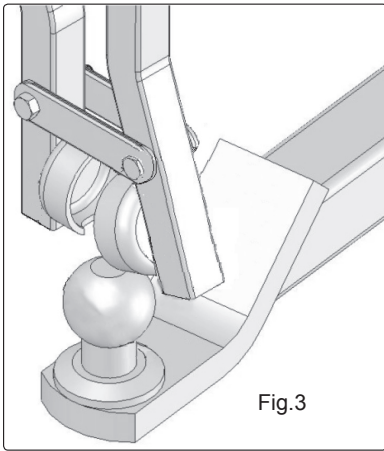


Fig.3

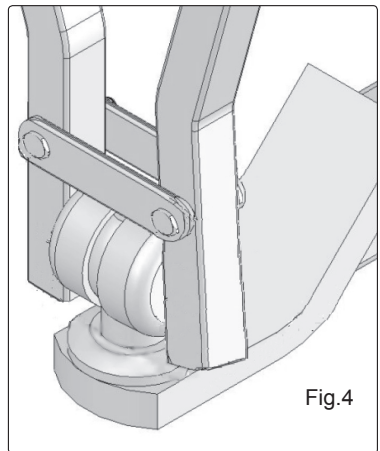


Fig.4

#### 4. LOADING BICYCLES

- 4.1 When placing cycles on the rack:
- Avoid positioning the tyres close to the exhaust.
  - When carrying two cycles, place them in opposite directions on the carrier.
  - Ensure that the cycles are well balanced.
- 4.2 Secure cycles on the carrier using suitable ties (DO NOT use string or elasticated ties). Ensure that cycles are not in contact with the vehicle bodywork and provide suitable protection to prevent damage.
- 4.3 Many modern vehicles are fitted with towing eyes which are suitable for attaching anti-theft cables to secure the cycles carried.
- 4.4 When carrying cycles drive with extra care, particularly in high winds or over uneven surfaces. If your vehicle lights and/or number plate are obscured by your bikes, you are required **BY LAW** to replicate them with an auxiliary lighting kit. Contact your Sealey dealer for our full range of trailer and lighting board.

*NOTE: It is our policy to continually improve products and as such we reserve the right to alter data, specifications and component parts without prior notice.*

**IMPORTANT:** No liability is accepted for incorrect use of product.

**WARRANTY:** Guarantee is 12 months from purchase date, proof of which will be required for any claim.

**INFORMATION:** For a copy of our latest catalogue and promotions call us on 01284 757525 and leave your full name and address, including postcode.