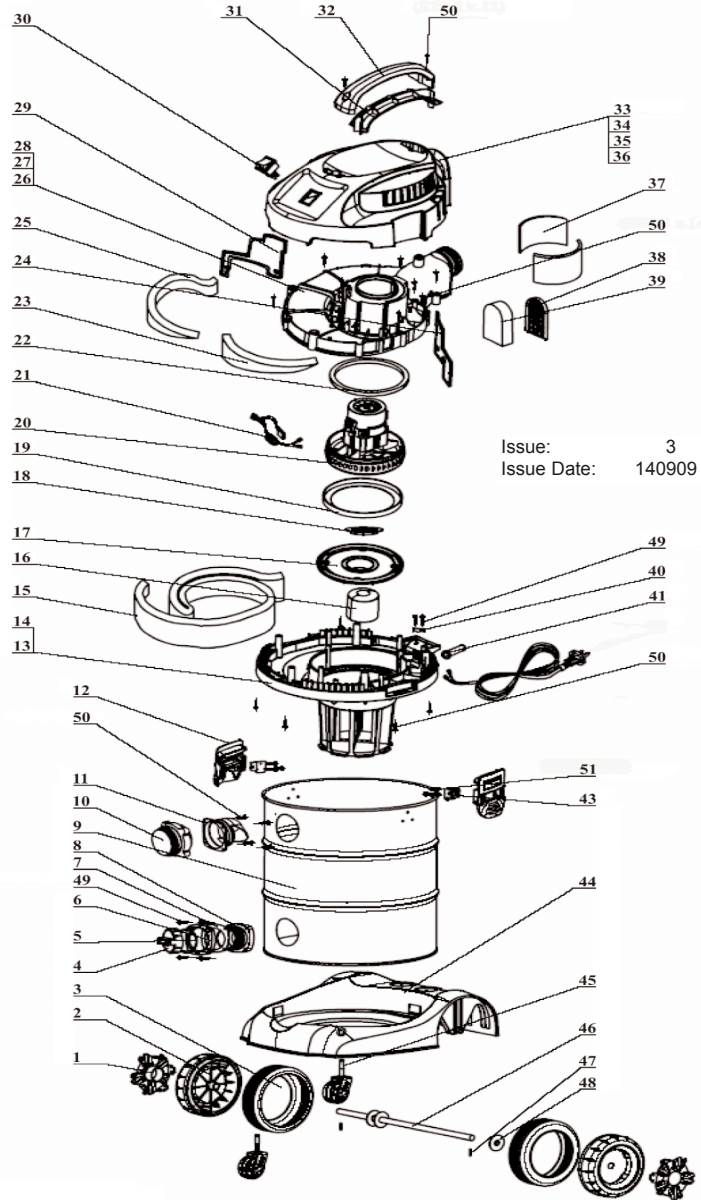


**PARTS FOR:**  
**VACUUM CLEANER INDUSTRIAL 30ltr 1500w/230v**  
**STAINLESS BIN**  
**MODEL: PC300SD.V3**

| ITEM | PART NO       | DESCRIPTION            |
|------|---------------|------------------------|
| 1    | PC300SD.V3-01 | WHEEL COVER            |
| 2    | PC300SD.V3-02 | WHEEL                  |
| 3    | PC300SD.V3-03 | WHEEL SURROUND         |
| 4    | PC300SD.V3-04 | WATERSPOUT COVER       |
| 5    | PC300SD.V3-05 | SEAL RING              |
| 6    | PC300SD.V3-06 | WATERSPOUT             |
| 7    | PC300SD.V3-07 | PC300SD.V3-07          |
| 8    | PC300SD.V3-08 | WATERSPOUT SEAT        |
| 9    | PC300SD.V3-09 | TANK                   |
| 10   | PC300SD.V3-10 | HOSE INLET             |
| 11   | PC300SD.V3-11 | HOSE INLET BASE        |
| 12   | PC300SD.V3-12 | BIN CLIP               |
| 13   | PC300SD.V3-13 | LOWER COVER            |
| 14   | PC300SD.V3-14 | FOAM RING              |
| 15   | PC300SD.V3-15 | SILENCER SPONGE        |
| 16   | PC300SD.V3-16 | FLOAT                  |
| 17   | PC300SD.V3-17 | TRAY                   |
| 18   | PC300SD.V3-18 | PLASTIC FENCE          |
| 19   | PC300SD.V3-19 | SEAL RING              |
| 20   | PC300SD.V3-20 | MOTOR                  |
| 21   | PC300SD.V3-21 | CAPACITOR & INDUCTANCE |
| 22   | PC300SD.V3-22 | SEAL RING              |
| 23   | PC300SD.V3-23 | SILENCER FOAM          |
| 24   | PC300SD.V3-24 | AIR BLOCK BOARD        |
| 25   | PC300SD.V3-25 | SILENCER FOAM          |
| 26   | PC300SD.V3-26 | AIR OUTLET             |
| 27   | PC300SD.V3-27 | DAMPING BAR            |
| 28   | PC300SD.V3-28 | SEAL                   |
| 29   | PC300SD.V3-29 | AIR BLOCK BOARD        |
| 30   | PC300SD.V3-30 | SWITCH                 |
| 31   | PC300SD.V3-31 | LOWER HANDLE           |
| 32   | PC300SD.V3-32 | UPPER HANDLE           |
| 33   | PC300SD.V3-33 | UPPER COVER            |
| 34   | PC300SD.V3-34 | SILENCER FOAM          |
| 35   | PC300SD.V3-35 | LABEL                  |
| 36   | PC300SD.V3-36 | NAMEPLATE              |
| 37   | PC300SD.V3-37 | SILENCER FOAM          |
| 38   | PC300SD.V3-38 | FILTER COVER           |
| 39   | PC300SD.V3-39 | FOAM FILTER            |
| 40   | PC300SD.V3-40 | CORD CLAMP             |
| 41   | PC300SD.V3-41 | CABLE SLEEVE           |
| 43   | PC300SD.V3-43 | HOOK BASE              |
| 44   | PC300SD.V3-44 | TANK BASE              |
| 45   | PC300SD.V3-45 | CASTOR                 |
| 46   | PC300SD.V3-46 | WHEEL SHAFT            |
| 47   | PC300SD.V3-47 | BOLT                   |
| 48   | PC300SD.V3-48 | WASHER                 |
| 49   | PC300SD.V3-49 | SCREW (ST2.9 x 12)     |
| 50   | PC300SD.V3-50 | SCREW (ST4.2 x 14)     |
| 51   | PC300SD.V3-51 | SCREW (ST5.3 x 8)      |



Issue: 3  
 Issue Date: 140909

| ITEM | PART NO       | DESCRIPTION                                  |
|------|---------------|--|
| 52   | PC300SD.V3-52 | HOSE 1.5MM                                   |
| 53   | PC300SD.V3-53 | TELESCOPIC STAINLESS TUBE                    |
| 54   | PC300SD.V3-54 | CREVICE TOOL                                 |
| 55   | PC300SD.V3-55 | ADJUSTABLE TUBE, AIR                         |
| 56   | PC300SD.V3-56 | COMBO BRUSH                                  |
| 57   | PC300SD.V3-57 | NOISE DIFFUSER MUFFLER                       |
| 58   | PC200CFL      | LOCKING CARTRIDGE FILTER                     |
| 59   | PC200FF10     | FOAM FILTER (pack of 10)                     |
|      | PC300PB5      | DUST BAGS (pack of 5) "OPTIONAL" (not shown) |



**NOTE:** It is our policy to continually improve products and as such we reserve the right to alter data, specifications and component parts without prior notice.

**IMPORTANT:** No liability is accepted for incorrect use of product.

**WARRANTY:** Guarantee is 12 months from purchase date, proof of which will be required for any claim.

**INFORMATION:** For a copy of our latest catalogue and promotions call us on 01284 757525 and leave your full name and address, including postcode.