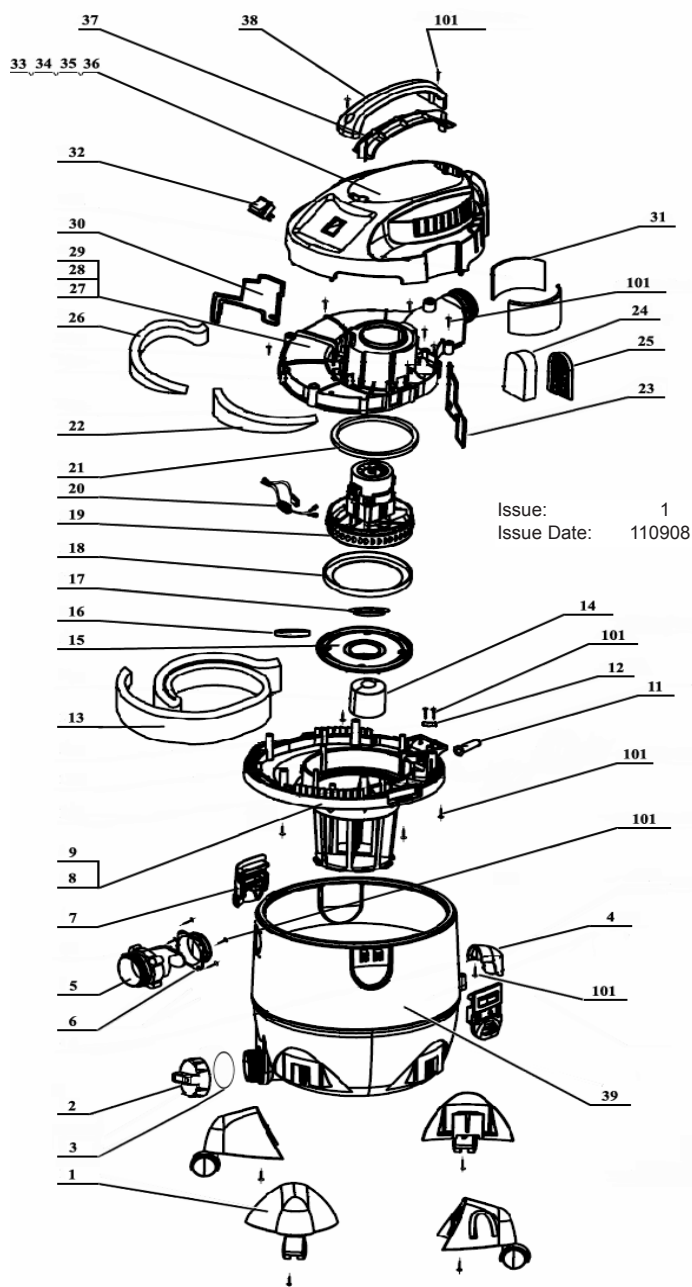


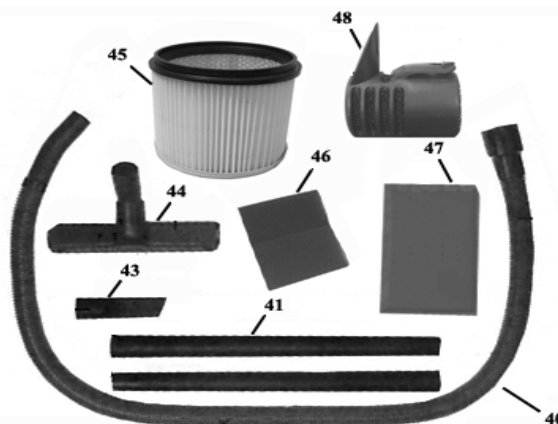
ITEM	PART NO	DESCRIPTION
1	PC300.01	CASTOR
2	PC300.02	WATERSPOUT COVER
3	PC300.03	DRAIN INLET SEAL
4	PC300.04	CORD HOOK
5	PC300.05	HOSE INLET
6	PC300.06	HOSE INLET BASE
7	PC300.07	BIN CLIP
8	PC300.08	LOWER COVER
9	PC300.09	FOAM RING
11	PC300.11	CABLE SLEEVE
12	PC300.12	CORD CLAMP
13	PC300.13	SILENCER FOAM
14	PC300.14	FLOAT
15	PC300.15	TRAY
16	PC300.16	SEAL RING
17	PC300.17	PLASTIC FENCE
18	PC300.18	SEAL RING
19	PC300.19	MOTOR (c/w SEAL RING)
20	PC300.20	CAPACITOR & INDUCTANCE
21	PC300.21	SEAL RING
22	PC300.22	SILENCER FOAM
23	PC300.23	AIR BLOCK BOARD
24	PC300.24	FOAM FILTER
25	PC300.25	FILTER COVER
26	PC300.26	SILENCER FOAM
27	PC300.27	AIR OUTLET
28	PC300.28	DAMPING BAR
29	PC300.29	SEAL
30	PC300.30	AIR BLOCK BOARD
31	PC300.31	SILENCER FOAM
32	PC300.32	SWITCH
33	PC300.33	UPPER COVER
34	PC300.34	SILENCER FOAM
35	PC300.35	NAME PLATE
36	PC300.36	LABEL
37	PC300.37	LOWER HANDLE
38	PC300.38	UPPER HANDLE
39	PC300.39	TANK
101	PC300.101	SCREW (ST4.2x14)



Issue: 1
 Issue Date: 110908

ACCESSORIES

ITEM	PART NO	DESCRIPTION
40	PC300.A01	HOSE 1.5m
41	PC300.A02	PLASTIC TUBE (2PCS)
43	PC300.A03	CREVICE TOOL
44	PC300.A04	FLOOR NOZZLE
45	PC200CFL	CARTRIDGE FILTER
46	PC200FF10	FOAM FILTERS (pk of 10)
47	PC300PB5	DUST COLLECTION BAGS (pk of 5)
48	PC300.A05	NOISE DIFFUSER MUFFLER



NOTE: It is our policy to continually improve products and as such we reserve the right to alter data, specifications and component parts without prior notice.

IMPORTANT: No liability is accepted for incorrect use of product.

WARRANTY: Guarantee is 12 months from purchase date, proof of which will be required for any claim.

INFORMATION: For a copy of our latest catalogue and promotions call us on 01284 757525 and leave your full name and address, including postcode.