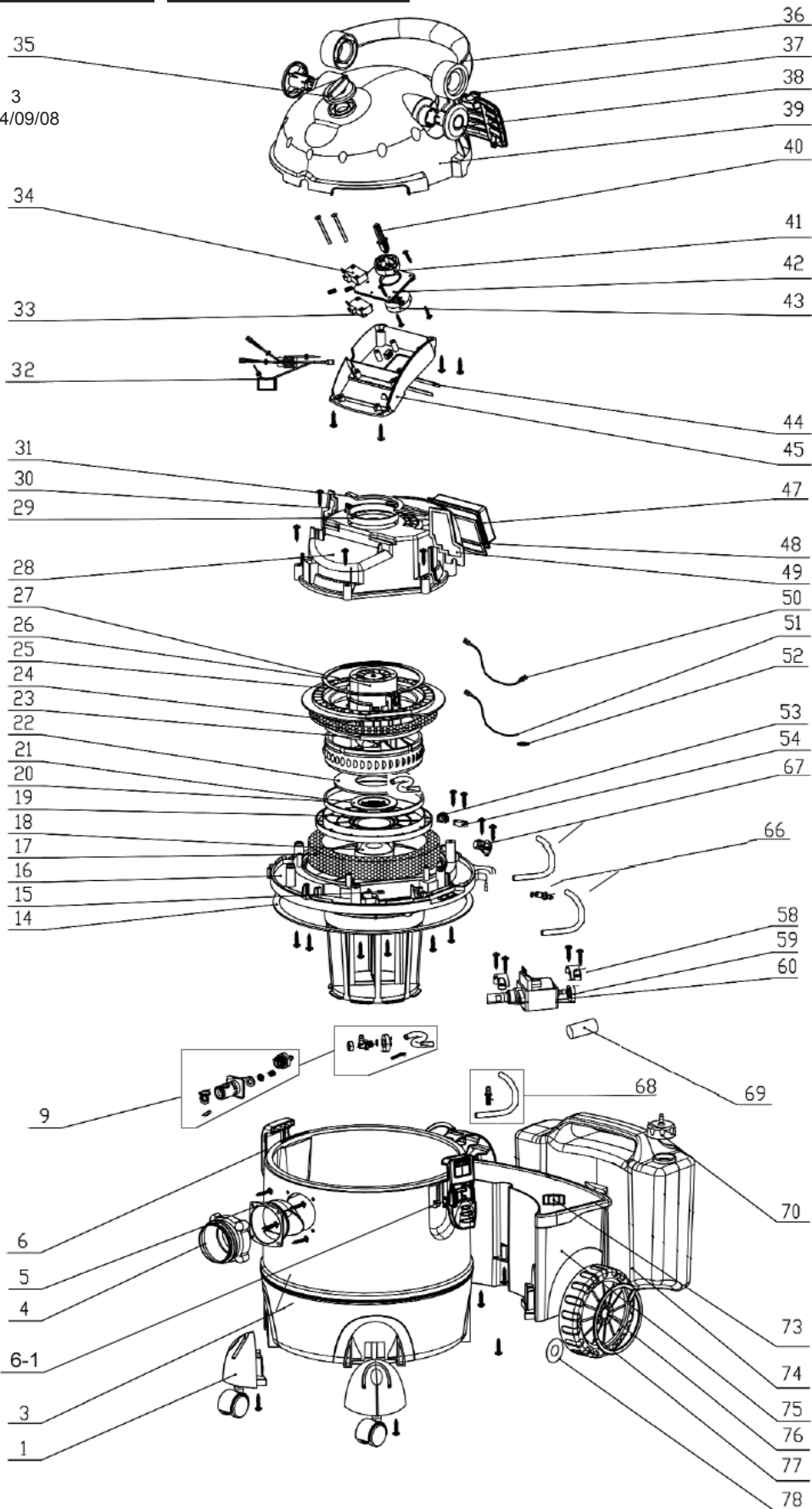
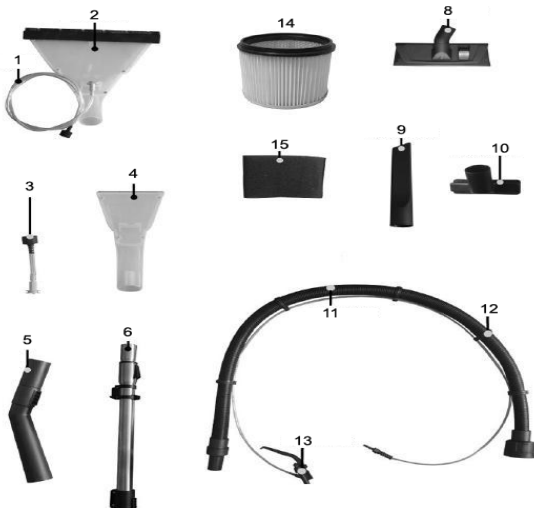


Issue: 3
 Issue Date: 24/09/08



ITEM	PART NO	DESCRIPTION	ITEM	PART NO	DESCRIPTION
1	PC310.01	WHEEL ASSY	38	PC310.39	COVER
3	PC310.03	PLASTIC TANK c/w BASE	39	PC310.40	TOP COVER
4	PC310.04	AIR INLET CONNECTION	40	PC310.41	POLE
5	PC310.05	SUCTION PRESS BOARD	41	PC310.42	CAM
6	PC310.06	BIN CLIP	42	PC310.43	BOARD
6-1	PC310.06-1	BIN CLIP RETAINER	43	PC310.44	CAM
9	PC310.09	VALVE ASSY	44	PC310.45	SPRING
14	PC310.14	SEALING GASKET	45	PC310.46	SWITCH BOX
15	PC310.15	PU BAR	47	PC310.48	FILTER FRAME c/w FILTER
16	PC310.16	LOWER CASING	48	PC310.49	SEAL RING
17	PC310.17	SILENCER SPONGE	49	PC310.50	AIR BLOCK BOARD
18	PC310.18	FLOAT	50	PC310.51	WIRE
19	PC310.19	TRAY	51	PC310.52	WIRE
20	PC310.20	DAMPING BAR	52	PC310.53	CONNECTOR
21	PC310.21	PLASTIC FENCE	53	PC310.54	CABLE SLEEVE
22	PC310.22	SILENCER CUSHION	54	PC310.55	CLAMP
23	PC310.23	SEALING GASKET	58	PC310.59	PUMP COVER
24	PC310.24	SILENCER SPONGE	59	PC310.60	DAMPING RING
25	PC310.25	SILENCER BOARD	60	PC310.61	PUMP
26	PC310.26	PU BAR	66	PC310.67	WATER PIPE,PUMP INLET c/w TIE-IN SEAT
27	PC310.27	MOTOR	67	PC310.68	WATER PIPE,SOAP TANK UPPER c/w TIE-IN
28	PC310.28	AIR OUTLET	68	PC310.69	WATER PIPE,SOAP TANK LOWER c/w FILTER
29	PC310.29	DAMPING BAR	69	PC310.70	BUSHING
30	PC310.30	AIR BLOCK BOARD	70	PC310.71	SOAP TANK LID (COVER)
31	PC310.31	PU BAR	73	PC310.74	NUT
32	PC310.33	CAPACITOR & INDUCTANCE	74	PC310.75	SOAP TANK
33	PC310.34	SWITCH	75	PC310.76	SOAP TANK HOUSING
34	PC310.35	SWITCH	76	PC310.77	WHEEL
35	PC310.36	SWITCH KNOB	77	PC310.78	WHEEL TRIM (RED)
36	PC310.37	HANDLE	78	PC310.79	WASHER
37	PC310.38	BARRIER			

ACCESSORIES



ITEM	PART NO	DESCRIPTION
1	PC310.A01	SHAMPOO PIPE FOR LARGE WASH HEAD
2	PC310.A02	SHAMPOO HEAD, LARGE
3	PC310.A03	SHAMPOO SPRAYING NOZZLE
4	PC310.A04	SHAMPOO HEAD, SMALL
5	PC310.A05	ELBOW TOOL (AIR FLOW REGULATOR)
6	PC310.A06	EXTENSION TUBE
8	PC310.A08	COMBO FLOOR BRUSH
9	PC310.A09	CREVICE TOOL
10	PC310.A10	UTILITY NOZZLE, SMALL
11	PC310.A11	SUCTION HOSE
12	PC310.A12	CLIP,SUCTION HOSE.
13	PC310.A13	SPRAY TRIGGER C/W SHAMPOO DELIVERY TUBE
14	PC310CF	CARTRIDGE FILTER
15	PC200FF10	FOAM FILTER

NOT SHOWN

PC200PB5 DUST COLLECTION BAG

NOTE: It is our policy to continually improve products and as such we reserve the right to alter data, specifications and component parts without prior notice.

IMPORTANT: No liability is accepted for incorrect use of product.

WARRANTY: Guarantee is 12 months from purchase date, proof of which will be required for any claim.

INFORMATION: For a copy of our latest catalogue and promotions call us on 01284 757525 and leave your full name and address, including postcode.