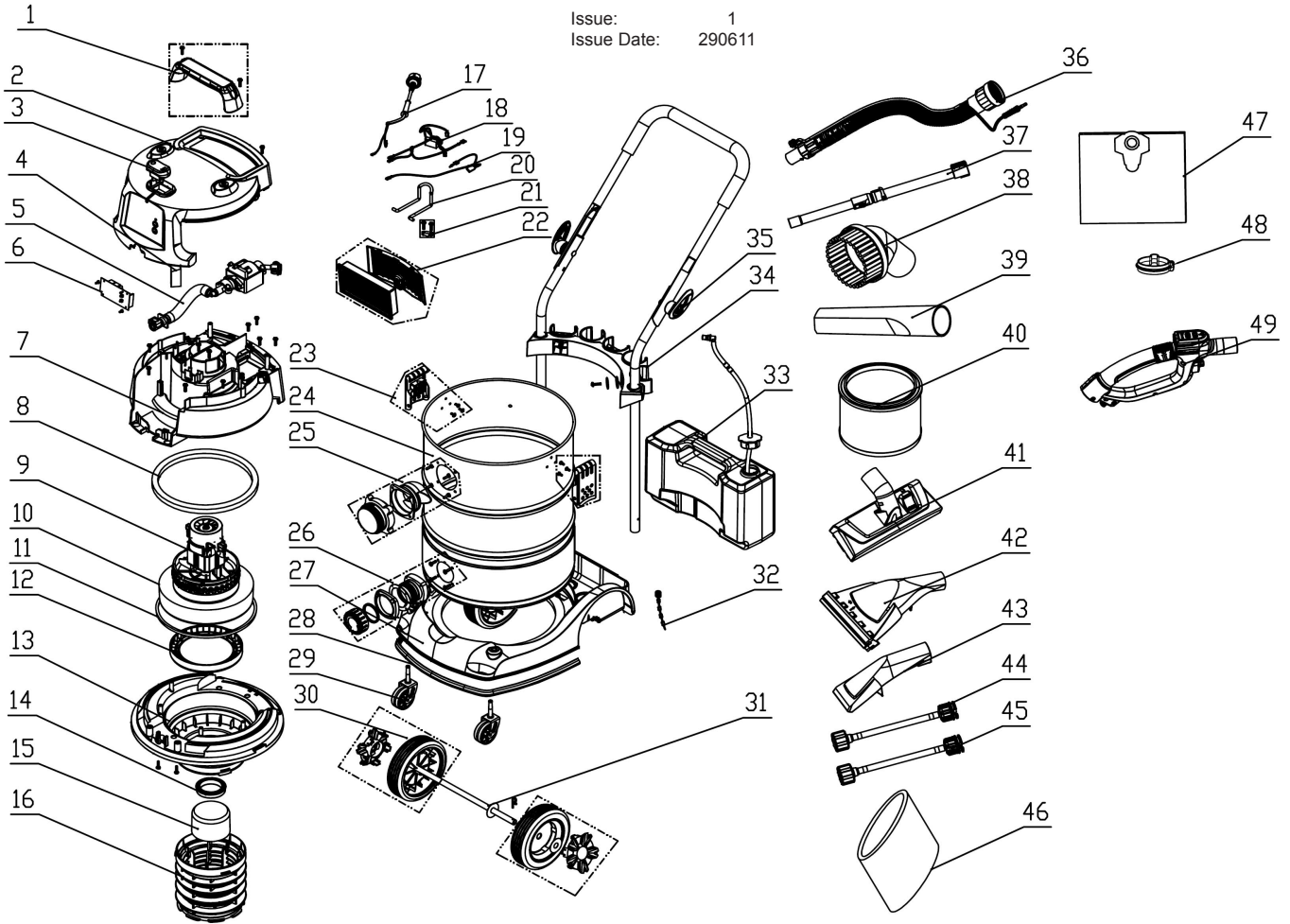


Issue: 1  
 Issue Date: 290611



ITEM	PART NO	DESCRIPTION	ITEM	PART NO	DESCRIPTION	ITEM	PART NO	DESCRIPTION
1	VMA915.01	HANDLE ASS'Y	18	VMA915.18	CAPACITOR & INDUCTANCE ASS'Y	29	VMA915.29	CASTOR ASS'Y
	VMA915.01A	LOWER HANDLE	19	VMA915.19	CONNECTION ASS'Y	30	VMA915.30	REAR WHEEL ASS'Y
	VMA915.01B	UPPER HANDLE	20	VMA915.20	HOOK	31	VMA915.31	WHEEL AXLE
	VMA915.01C	SCREW	21	VMA915.21	CORD CLAMP ASS'Y	32	VMA915.32	CHAIN ASS'Y
2	VMA915.02	TOP COVER		VMA915.21A	CORD CLAMP	33	VMA915.33	SOAP TANK ASS'Y
	VMA915.07A	MIDDLE COVER		VMA915.21B	SCREW		VMA915.33A	SOAP TANK
	VMA915.07B	SCREW	22	VMA915.22	AIR VENT (c/w FILTER)		VMA915.33B	SOAP TANK COVER
3	VMA915.03	SWITCH		VMA915.22A	AIR VENT	34	VMA915.34	ACCESSORY STORAGE FRAME
4	VMA915.04	FOAM		VMA915.22B	AIR VENT FILTER	35	VMA915.35	HANDLE ASS'Y
5	VMA915.05	PUMP ASS'Y	23	VMA915.23	BIN CLIP ASS'Y	36	VMA915.36	SUCTION HOSE
6	VMA915.06	PCB ASS'Y	24	VMA915.24	STAINLESS STEEL BIN 30ltr	37	VMA915.37	STAINLESS TELESCOPIC TUBE
7	VMA915.07	MIDDLE COVER ASS'Y	25	VMA915.25	AIR INLET ASS'Y	38	VMA915.38	ROUND BRUSH
8	VMA915.08	SEAL RING		VMA915.25A	SUCTION BASE	39	VMA915.39	CREVICE TOOL
9	VMA915.09	MOTOR ASS'Y		VMA915.25B	VACUUM PORT DEFLECTOR	40	VMA915.40	CARTRIDGE FILTER ASS'Y
10	VMA915.10	SEAL RING FOR MOTOR		VMA915.25C	SCREW	41	VMA915.41	COMBO FLOOR BRUSH
11	VMA915.11	SEAL RING PROTECTOR	26	VMA915.26	WATER DRAIN ASS'Y	42	VMA915.42	SHAMPOO HEAD (LARGE)
12	VMA915.12	SEAL RING		VMA915.26A	DRAIN COVER	43	VMA915.43	SHAMPOO HEAD (SMALL)
13	VMA915.13	LOWER COVER ASS'Y		VMA915.26B	DRAIN COVER SEAL	44	VMA915.44	SHAMPOO SPRAYING NOZZLE
14	VMA915.14	SEAL RING		VMA915.26C	DRAIN COVER HOLDER	45	VMA915.45	SHAMPOO SPRAYING NOZZLE
15	VMA915.15	FLOAT		VMA915.26D	WATER OUTLET SEALING RING	46	VMA915.46	FOAM FILTER
16	VMA915.16	FILTER BASKET		VMA915.26E	DRAIN	47	VMA915.47	DUST COLLECTION BAG
17	VMA915.17	POWER CORD ASS'Y		VMA915.26F	SCREW	48	VMA915.48	HOSE STORAGE HOOK
	VMA915.17A	POWER CORD	27	VMA915.27	BASE	49	VMA915.49	REMOTE HANDLE ASS'Y
	VMA915.17B	CORD SLEEVE	28	VMA915.28	BASE PROTECTION			

**NOTE:** It is our policy to continually improve products and as such we reserve the right to alter data, specifications and component parts without prior notice.

**IMPORTANT:** No liability is accepted for incorrect use of product.

**WARRANTY:** Guarantee is 12 months from purchase date, proof of which will be required for any claim.

**INFORMATION:** For a copy of our latest catalogue and promotions call us on 01284 757525 and leave your full name and address, including postcode.