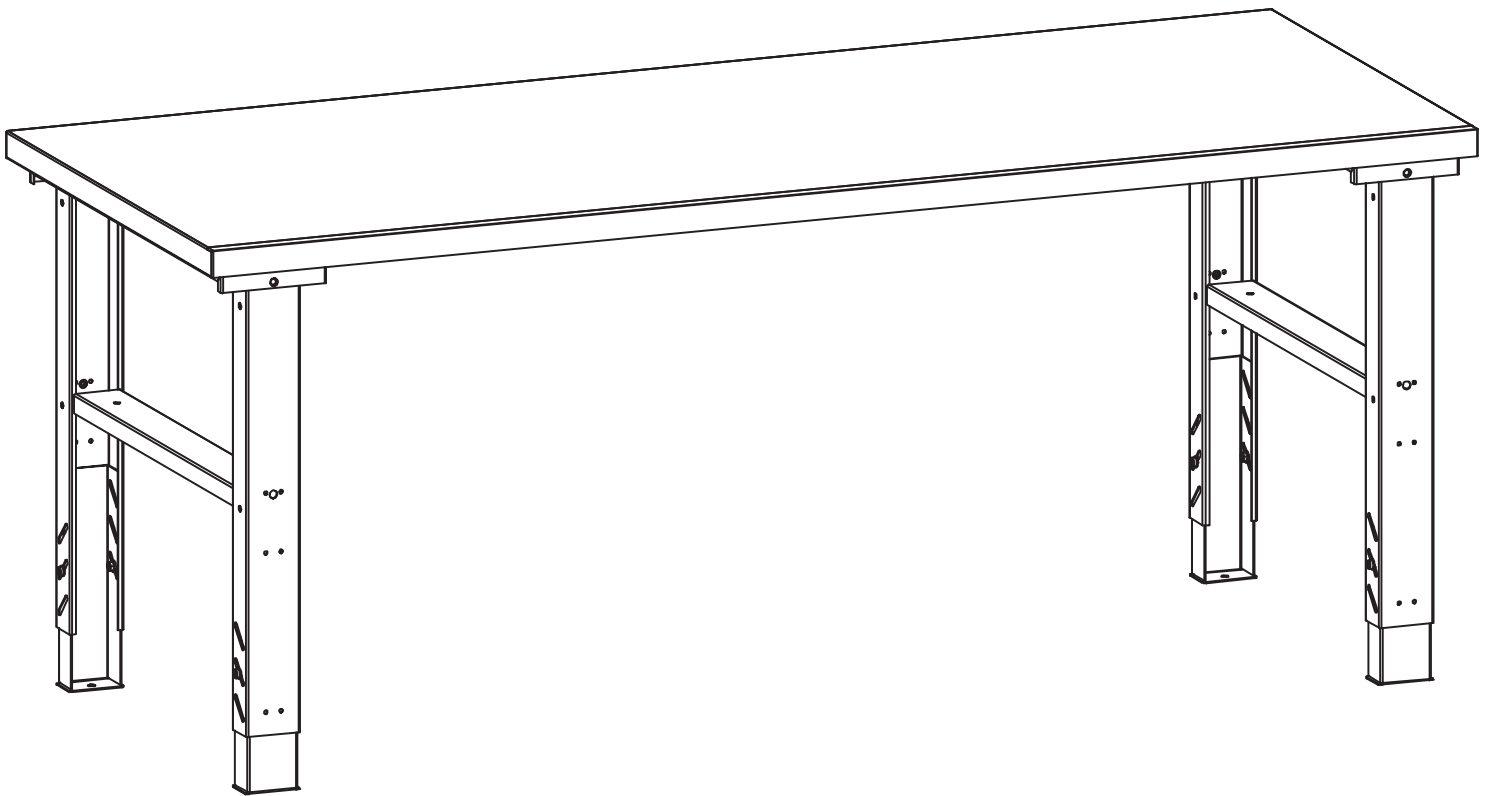


Workbench HD 500



Mounting instructions



M8x16
8x



8,4x16x1,6
20x



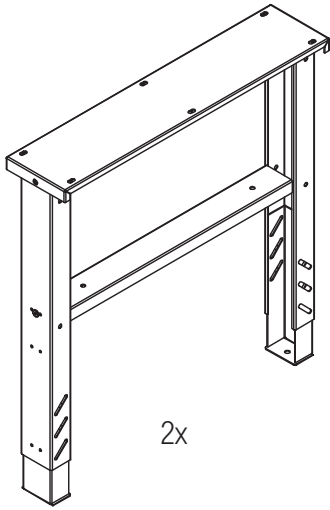
M8
8x



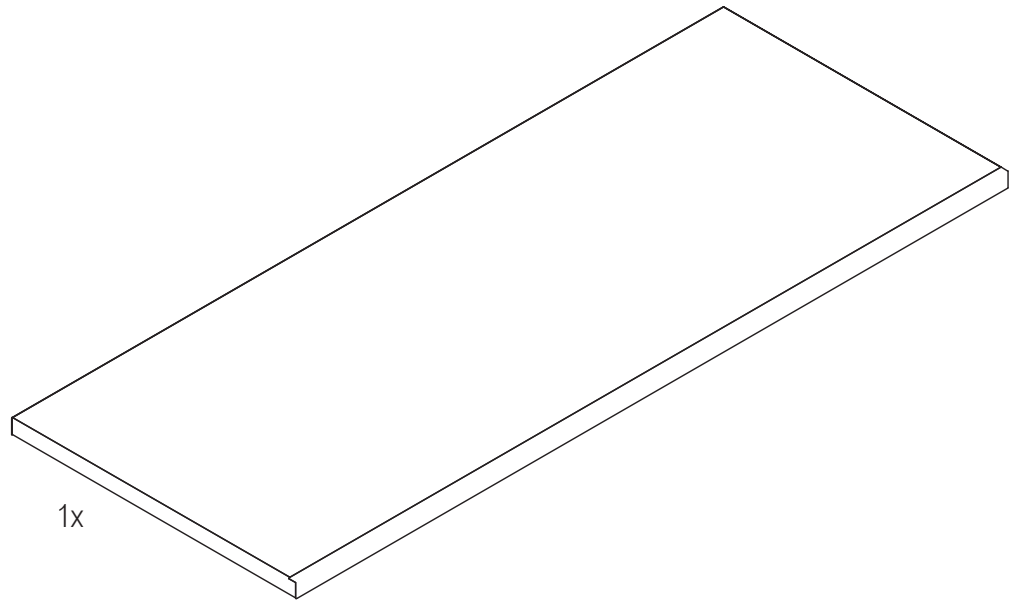
8x30
12x



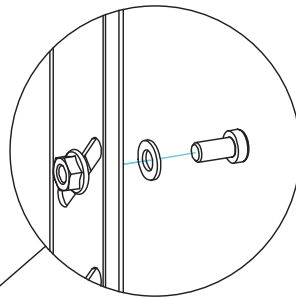
M8x30
12x



2x



1x



M8x16
8x

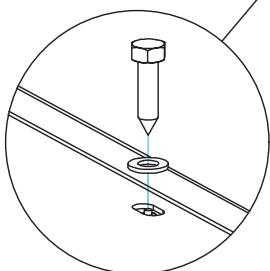
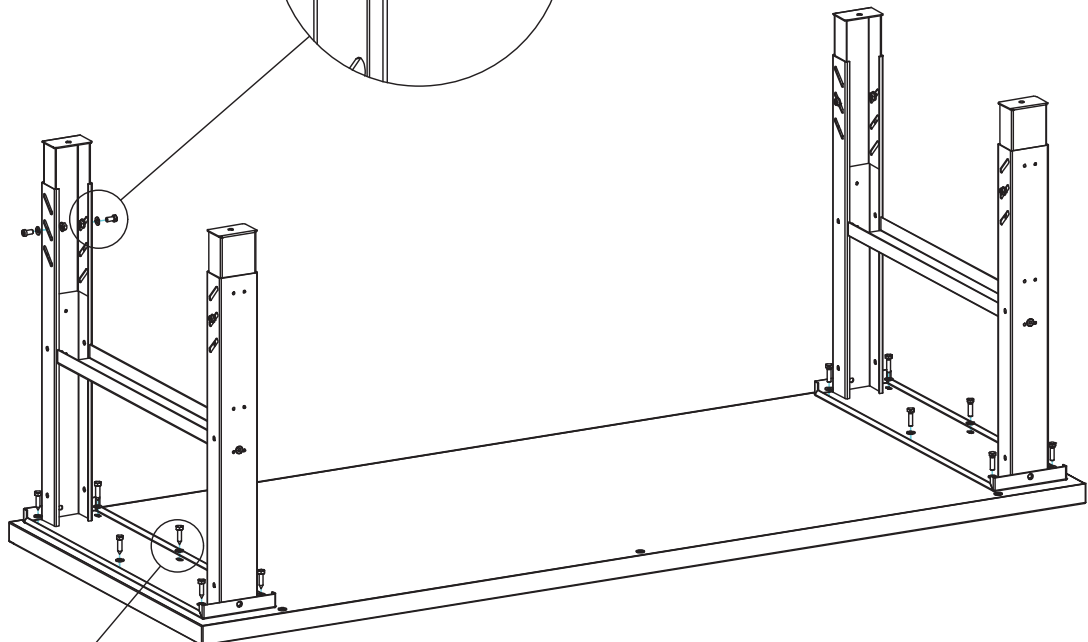


8,4x16x1,6
8x



M8
8x

1



8,4x16x1,6
12x



8x30
12x

alt.



M8x30
12x



Accessories - Rear Frame



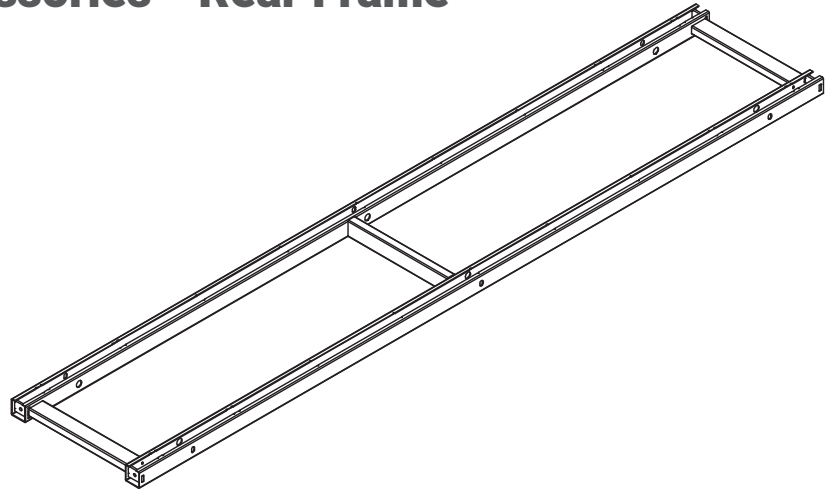
6,3x16
3x



8,4x16x1,6
3x



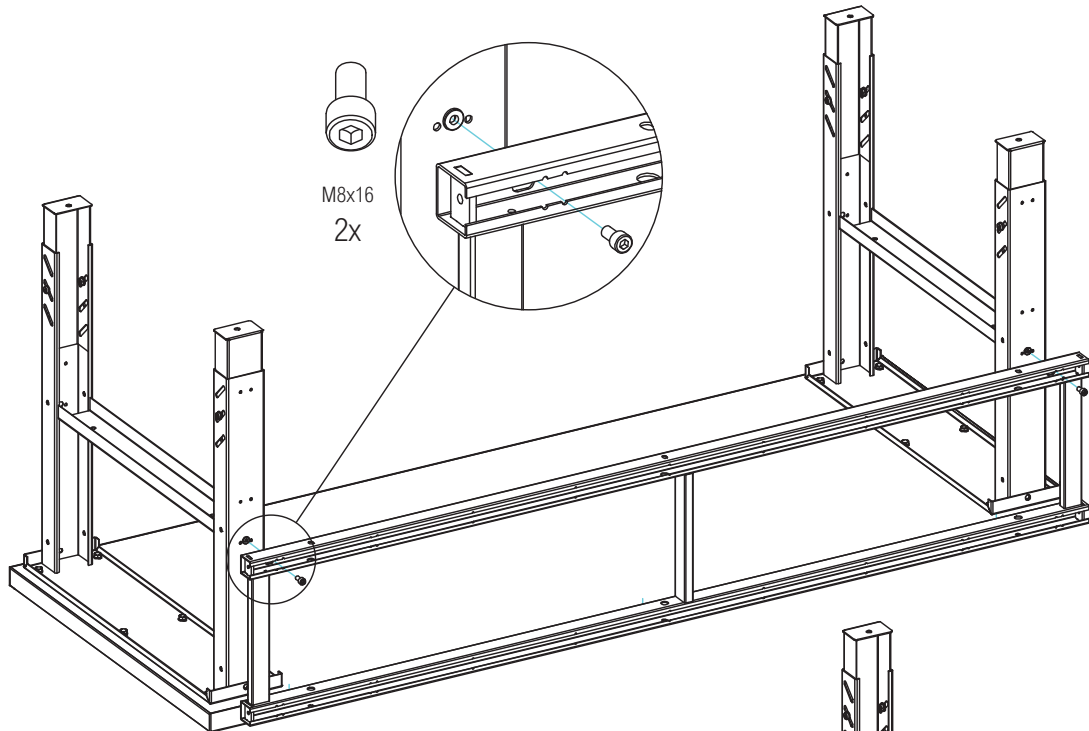
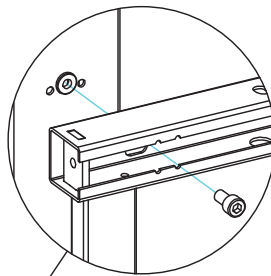
M8x16
2x



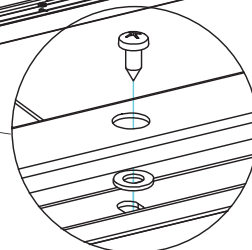
1



M8x16
2x



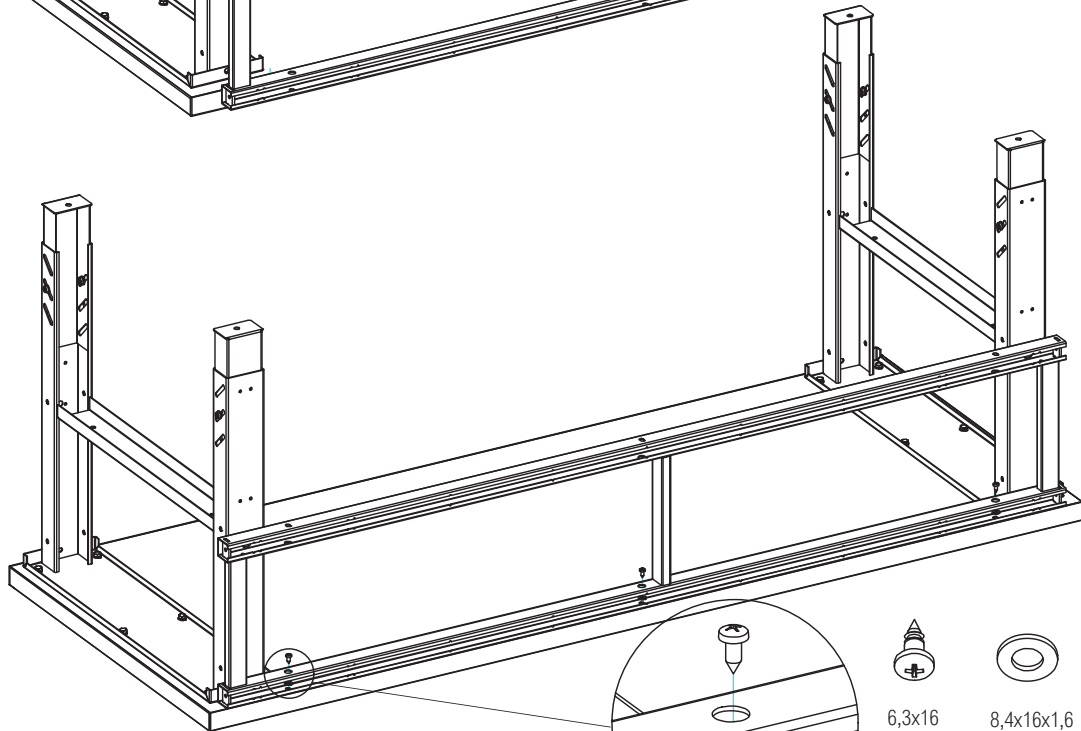
2



6,3x16
3x

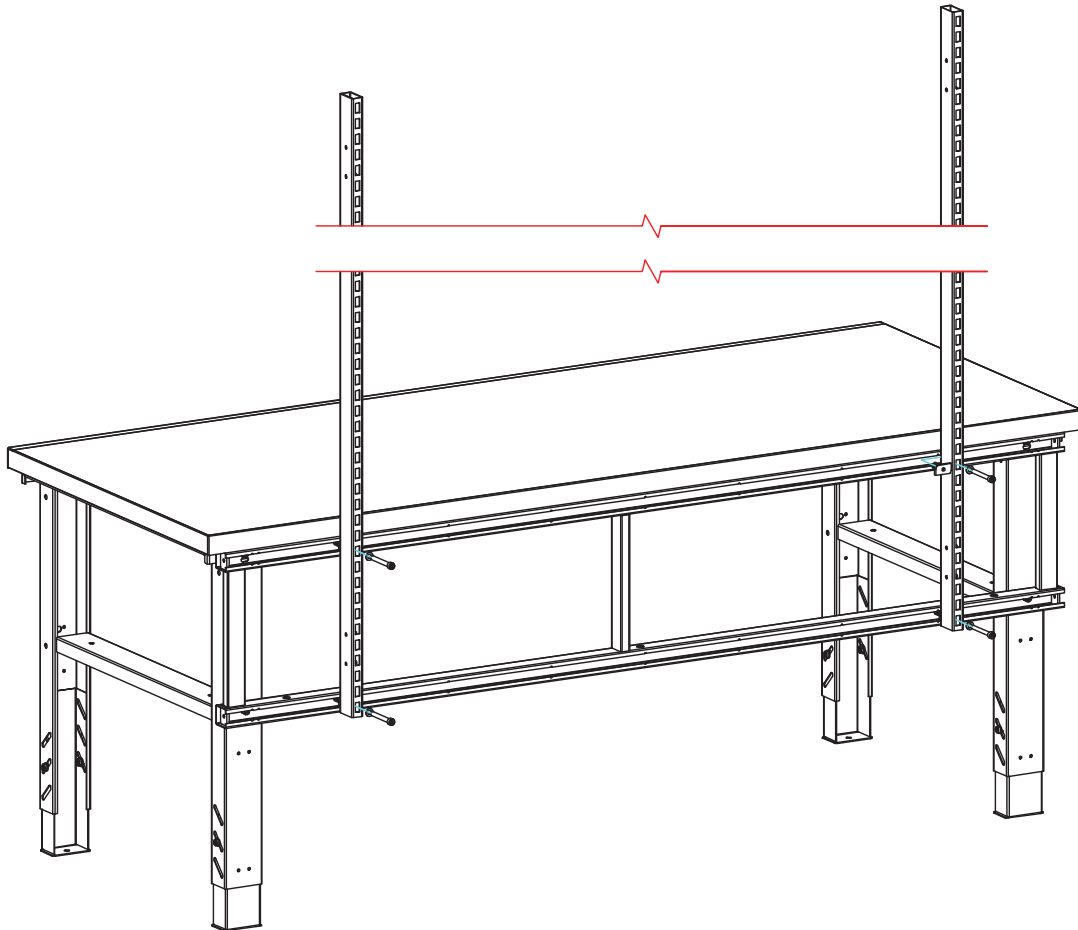
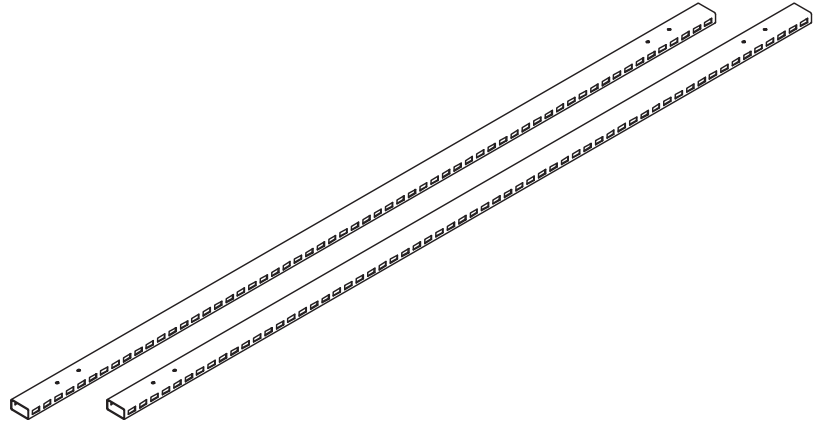
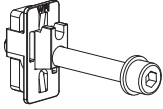


8,4x16x1,6
3x



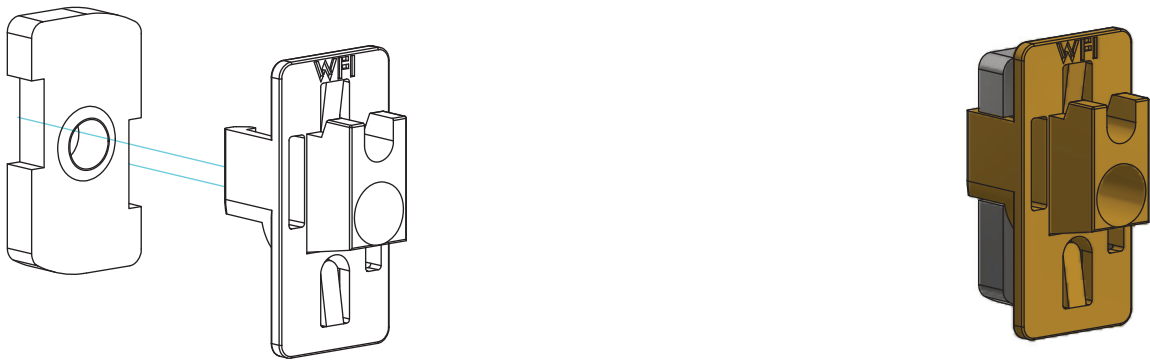
Accessories - Perforated Upright

4x

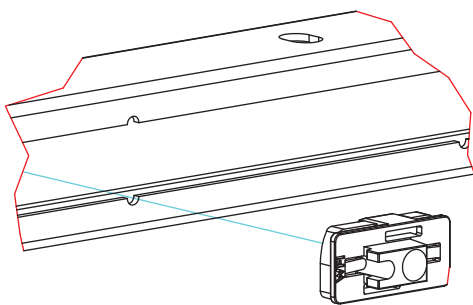


3-250-0

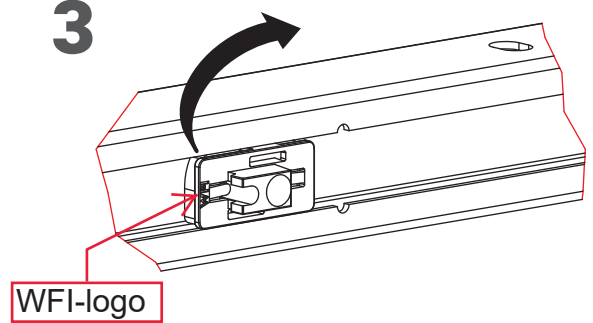
1



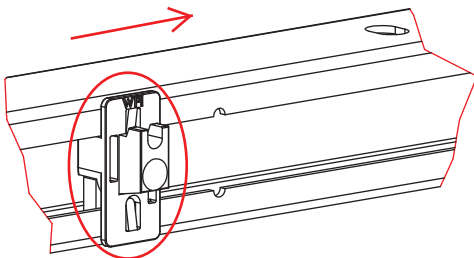
2



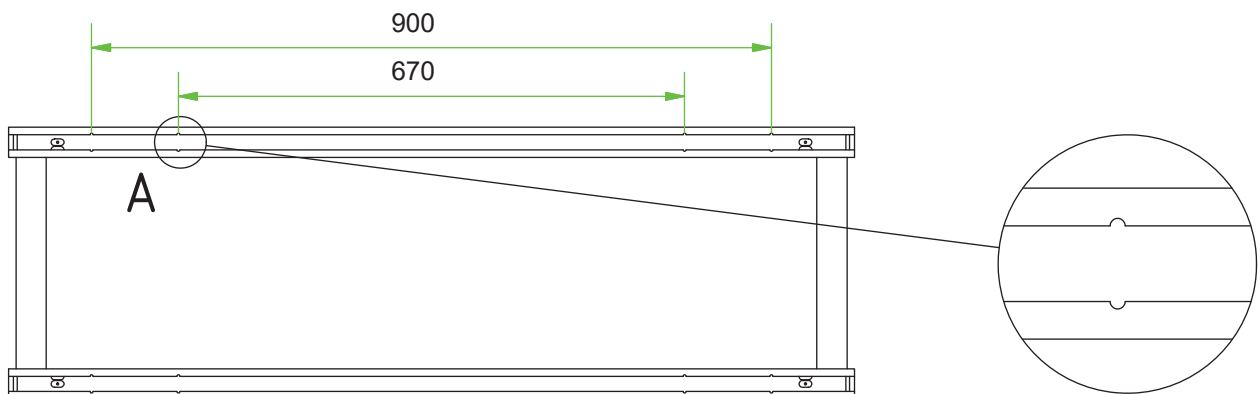
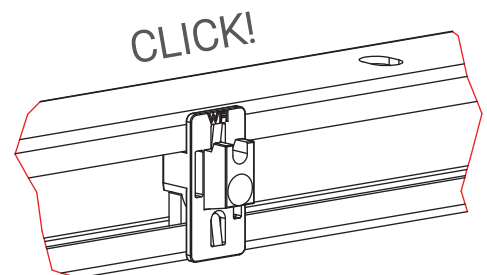
3



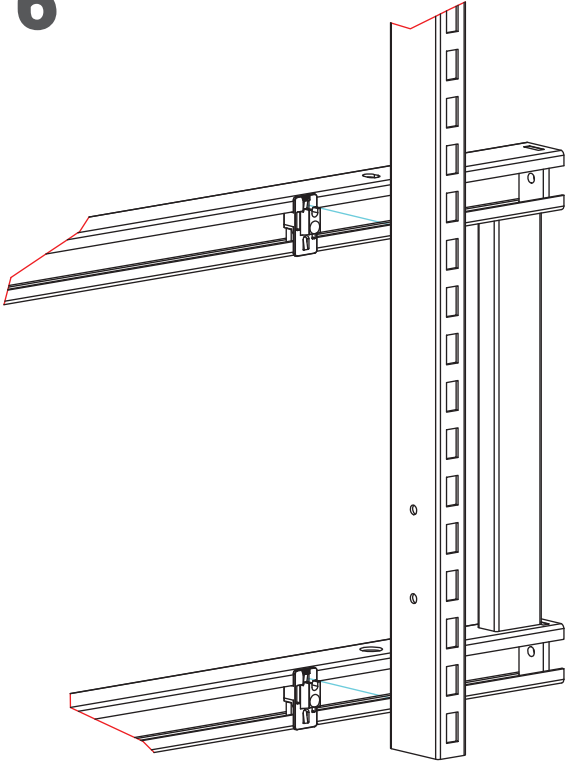
4



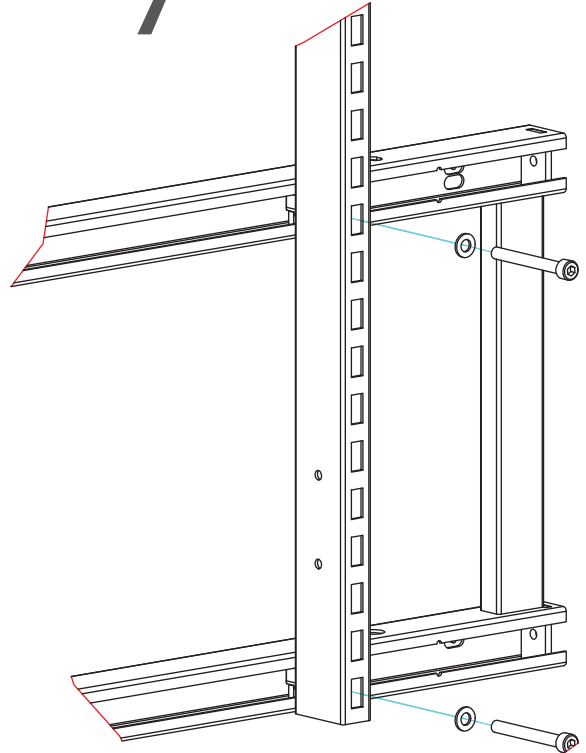
5



6



7



8

