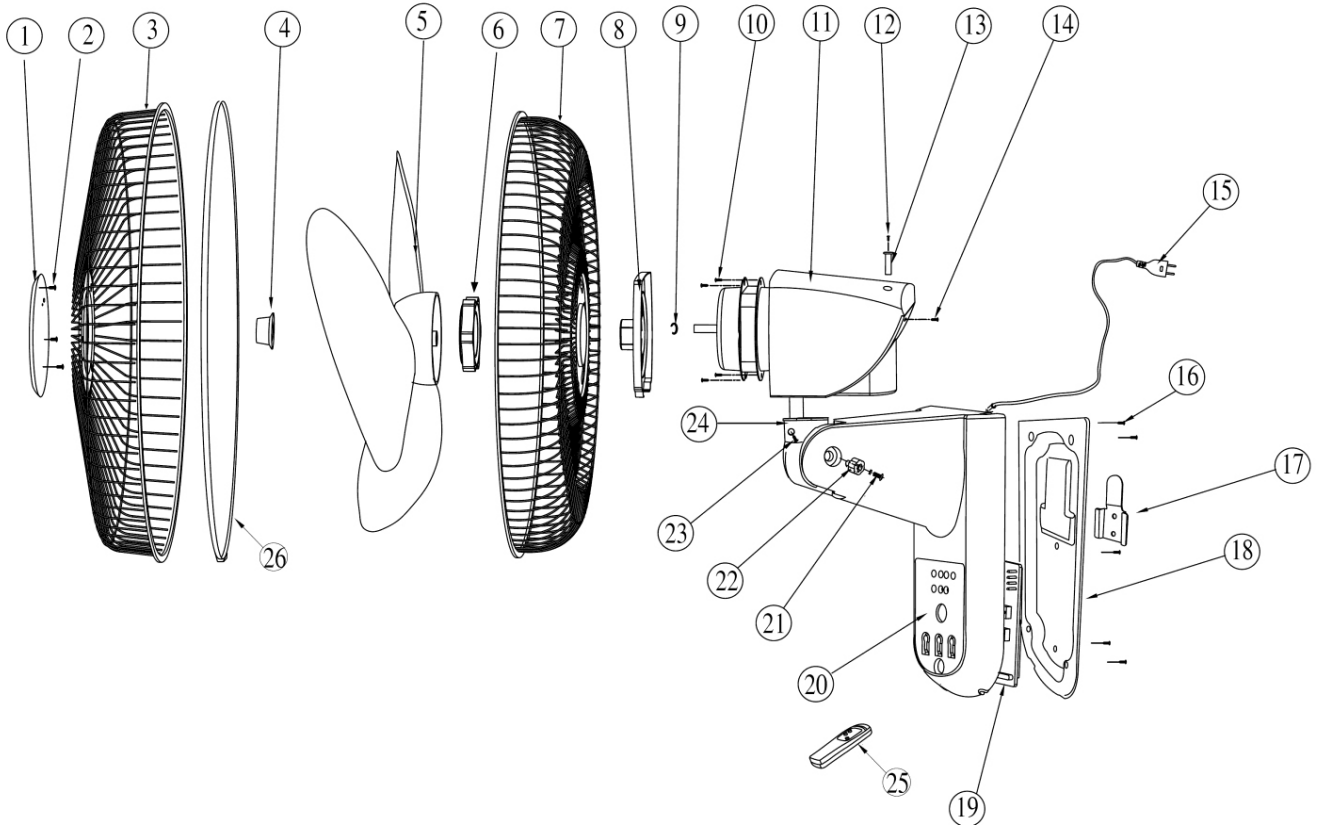




Parts Information:
Wall Fan 3-Speed 16" with Remote Control
230V
Model No: SWF16WR.V4



Item	Part No.	Description
1	SWF16WR.V4-01	BRAND PLATE
2	SWF16WR.V4-02	SCREW
3	SWF16WR.V4-03	FRONT GRILL 16"
4	SWF16WR.V4-04	SPINNER FOR BLADE
5	SWF16WR.V4-05	BLADE 16"
6	SWF16WR.V4-06	NUT FOR REAR GRILL
7	SWF16WR.V4-07	REAR GRILL 16"
8	SWF18WR.08	FRONT MOTOR COVER
9	SWF16WR.V4-09	SHAFT CLIP
10	SWF16WR.V4-10	SCREW
11	SWF18WR.11	MOTOR
12	SWF16WR.V4-12	REAR MOTOR COVER
13	SWF16WR.V4-13	SCREW

Item	Part No.	Description
14	SWF18WR.14	SCREW
15	SWF18WR.15	POWER CORD
16	SWF18WR.16	SCREW
17	SWF18WR.17	WALL BRACKET HOOK
18	SWF18WR.18	BASE COVER
19	SWF16WR.V4-19	IC PANEL
20	SWF16WR.V4-20	FRONT SWITCH BOX
21	SWF18WR.21	SCREW
22	SWF18WR.22	NUT
23	SWF18WR.23	SCREW
24	SWF18WR.24	BASE
25	SWF16WR.V4-25	REMOTE CONTROLLER
26	SWF16WR.V4-26	GRILLE RING

NOTE: It is our policy to continually improve products and as such we reserve the right to alter data, specifications and component parts without prior notice.

IMPORTANT: No liability is accepted for incorrect use of product.

WARRANTY: Guarantee is 12 months from purchase date, proof of which will be required for any claim.

Sealey Group, Kempson Way, Suffolk Business Park, Bury St Edmunds, Suffolk. IP32 7AR



01284 757500



01284 703534



sales@sealey.co.uk



www.sealey.co.uk